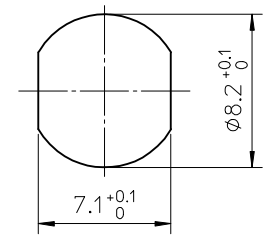
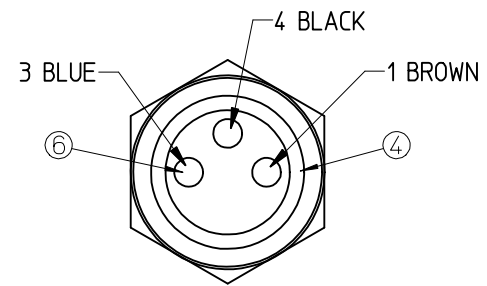
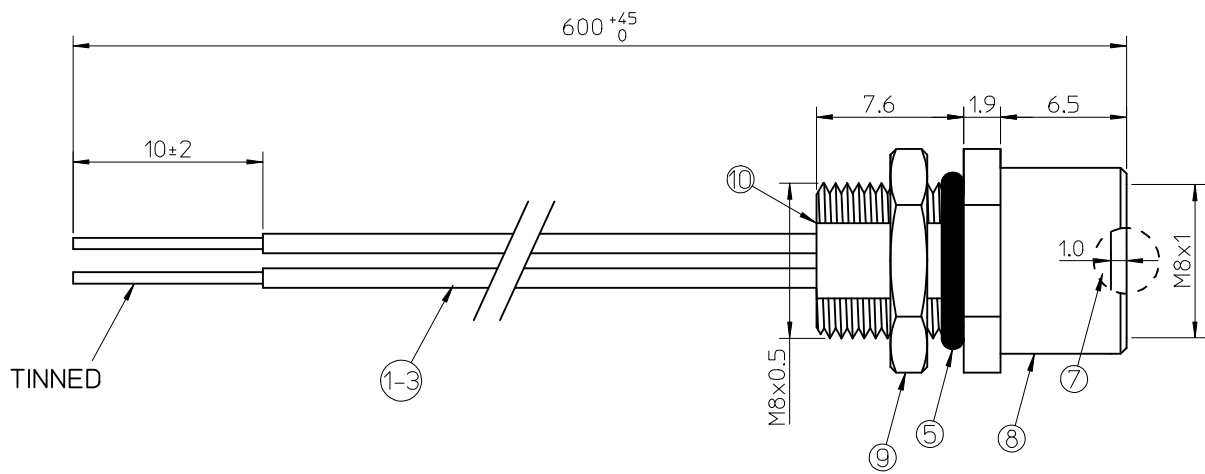


WIRES SPECIFICATION:

RATED VOLTAGE: 300 V  
 RATED TEMPERATURE: 105°C  
 PRODUCT STANDARD CERTIFICATION: UL  
 FLAMMABILITY TEST: VW-1, CSA FT1  
 REFERENCE STANDARD: UL758, UL1581 & CSA C22.2 No. 210  
 AWG: 24  
 CONSTRUCTION: 11/0.16  
 INSULATION: PVC  
 INSULATION DIAMETER: 1.43 (±0.05) mm



PANEL CUT-OUT



VIEW FROM THE FRONT SIDE

Bill of Materials

ITEM	QTY.	DESCRIPTION	MATERIAL	FINISH
10	-	POTTING MATERIAL	WEVO RESIN	-
9	1	BACKING NUT M8x0.5	CuZn39Pb3	Cu/Ni3b
8	1	M8 M8 SHELL	CuZn39Pb3	Cu/Ni3b
7	1	M8 3P FEMALE INSERT	ELASTOLLAN	-
6	3	FEMALE M8 CONTACT	CuZn39Pb3	Ni2 Au0.5
5	1	O-RING	NBR 70	BLACK
4	1	GASKET	FKM	RED
3	-	WIRE 24AWG	PVC	BLACK
2	-	WIRE 24AWG	PVC	BLUE
1	-	WIRE 24AWG	PVC	BROWN

ORIGINAL RELEASE  
 EC NO: IPG2015-0552  
 DRWN:FGAIK 2014/09/22  
 CHKD:WSTRASZKIEWI 2014/09/22  
 APPR:MIWASIECZKO 2014/09/25

QUALITY SYMBOLS  
 ▽=0  
 ◻=0

GENERAL TOLERANCES (UNLESS SPECIFIED)

	mm	INCH
4 PLACES	± ---	± ---
3 PLACES	± ---	± ---
2 PLACES	± 0.05	± ---
1 PLACE	± 0.3	± ---
0 PLACE	± 0.5	± ---

ANGULAR ± 1 °  
 DRAFT WHERE APPLICABLE  
 MUST REMAIN WITHIN DIMENSIONS

DIMENSION STYLE  
**MM ONLY**

DRAWN BY: FGAIK  
 DATE: 2014/09/22

CHECKED BY: WSTRASZKIEWI  
 DATE: 2014/09/22

APPROVED BY: MIWASIECZKO  
 DATE: 2014/09/25

MATERIAL NO.  
**1200900017**

SIZE  
**A3**

SCALE  
 ---

DESIGN UNITS  
**METRIC**

TITLE  
**NC 3P F/FR 600MM M8X0.5**

DOCUMENT NO.  
**SD-120090-016**

ENGINEERING NO.  
**4R3P00A27C600**

THIRD ANGLE PROJECTION



THIS DRAWING CONTAINS INFORMATION THAT IS PROPRIETARY TO MOLEX INCORPORATED AND SHOULD NOT BE USED WITHOUT WRITTEN PERMISSION

# Mouser Electronics

Authorized Distributor

Click to View Pricing, Inventory, Delivery & Lifecycle Information:

[Molex:](#)

[1200900017](#)