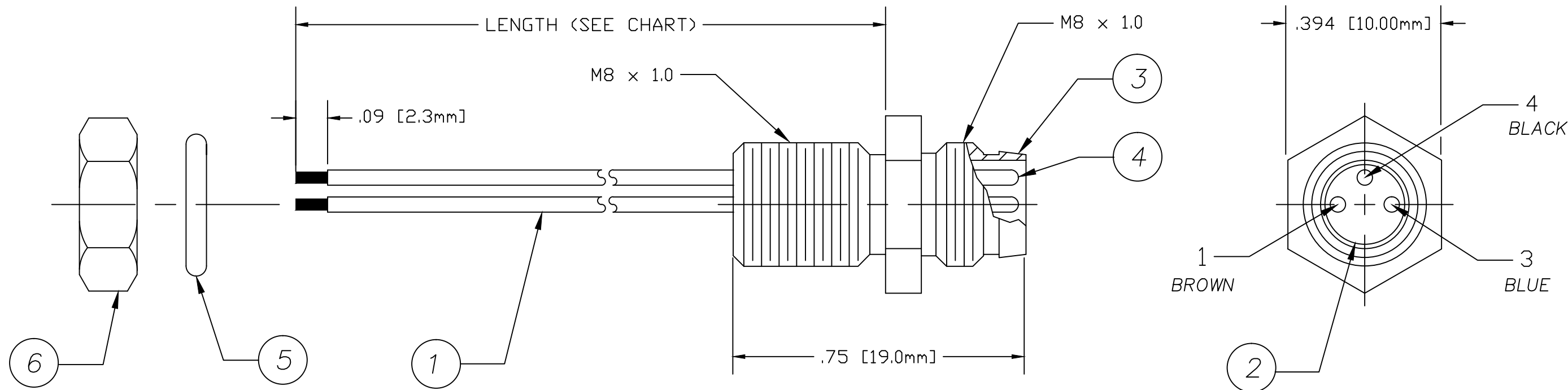


MATERIAL NO.	ENGINEERING NO.	FINISHED LENGTH
1200900009	4R3F06A27C300	11.81" +.75-0 [30CM+19mm-0]
1200900010	4R3F06A27C600	23.62" +1.75-0 [60CM+44.5mm-0]



CONNECTOR SPECIFICATION:

VOLTAGE RATING	60VAC/75VDC
AMPERAGE RATING	4 AMPS
PROTECTION	IP67
OPERATING TEMPERATURE	-20°C TO 105°C
UL CERTIFICATIONS	UL LISTED, FILE NO. E152210
CSA CERTIFICATIONS	CSA CERTIFIED, FILE NO. LR6837

ITEM	COMPONENT	MATERIAL	FINISH
6	LOCKNUT	STEEL	ZINC PLATED
5	O-RING	VITON	BLACK
4	CONTACT PIN	COPPER ALLOY	GOLD OVER NICKEL
3	RECEPTACLE SHELL-MALE	BRASS	NICKEL PLATED
2	MALE INSERT	NYLON	BLACK
1	CONDUCTOR- 24 AWG	PVC INSULATED	SEE WIRING DIAGRAM

NEW SALES DOC
 EC NO: IPG2013-0663
 DRWN: RSTONE 2012/11/14
 CHKD: K JOZWIK
 APPR: JFMURPHY 2013/02/07

QUALITY SYMBOLS
 ▽=0
 ◁=0

GENERAL TOLERANCES (UNLESS SPECIFIED)

	mm	INCH
4 PLACES	±---	±---
3 PLACES	±---	±.005
2 PLACES	±0.05	±.01
1 PLACE	±0.3	±---

ANGULAR ±2°

DRAFT WHERE APPLICABLE MUST REMAIN WITHIN DIMENSIONS

DIMENSION STYLE INCH/MM

DRAWN BY	DATE
RSTONE	2012/11/14
CHECKED BY	DATE
K JOZWIK	2012/11/28
APPROVED BY	DATE
JFMURPHY	2013/02/07

MATERIAL NO. SEE CHART

SCALE --- DESIGN UNITS INCH

THIRD ANGLE PROJECTION

TITLE
**NC MALE RECEPTACLE ASSY
 3 POLE MALE, 24 AWG**

MOLEX INCORPORATED

DOCUMENT NO. SD-120090-030 SHEET NO. 1 OF 1

THIS DRAWING CONTAINS INFORMATION THAT IS PROPRIETARY TO MOLEX INCORPORATED AND SHOULD NOT BE USED WITHOUT WRITTEN PERMISSION

Mouser Electronics

Authorized Distributor

Click to View Pricing, Inventory, Delivery & Lifecycle Information:

[Molex:](#)

[1200900010](#)