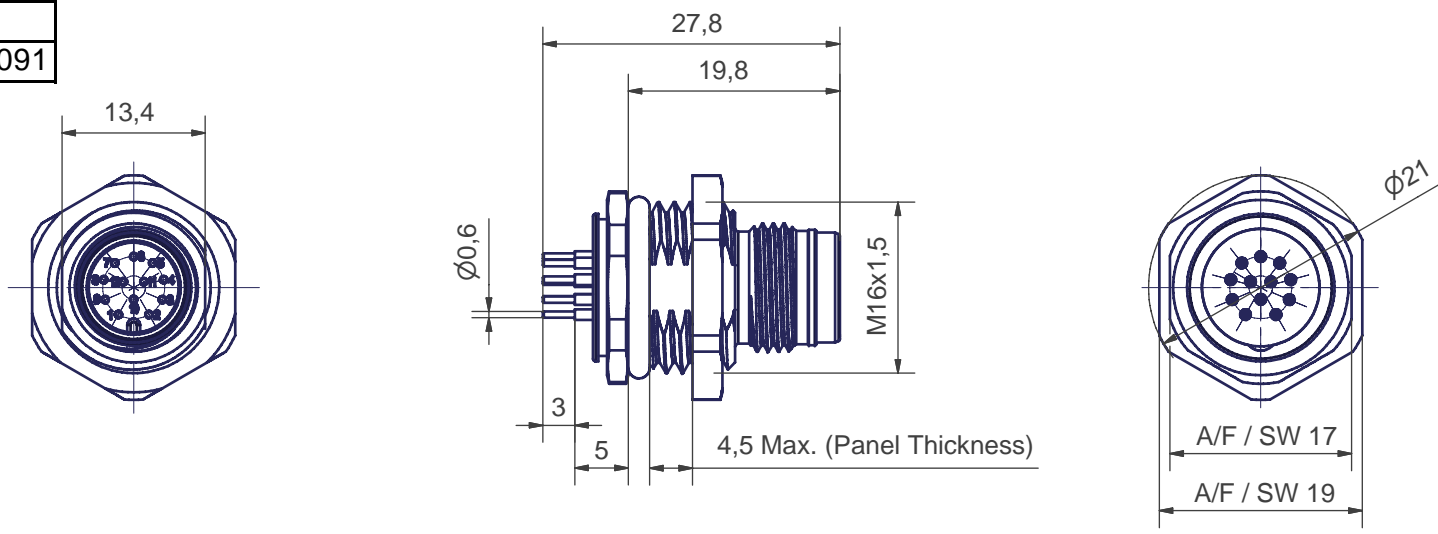
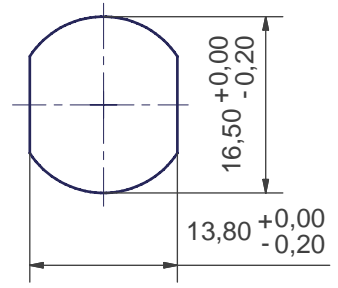


Eng Part No	SAP
WRCU46000	1200845091

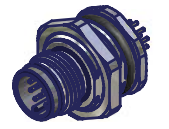


Allgemeine Kennwerte General Characteristics		Norm Standard		
Polzahl Kontaktanordnung	Number of contacts Contact configuration	IEC 947-5-2	12	
Bemessungsspannung	Rated Voltage	IEC 664	30V AC / DC	
Verschmutzungsgrad	Pollution Degree	IEC 664	3	
Betriebsstrom	Current carrying capacity	IEC 512-3 Test 5 b	1,5A	
Durchgangswiderstand	Contact Resistance	IEC 512-2 Test 2 A	< 5mOhm	
Bemessungsstoßspannung	Rated Impulse Withstand Voltage	IEC 664	0,85kV	
Prüfspannung	Test Voltage	IEC 60512-2 Test 4 A	0,5kV / 60 sec	
Isolationswiderstand	Insulation Resistance	IEC 512-2 Test 3 A	< 10 GOhm	
IP - Schutzart	IP Degree Of Protection	IEC 529	IP 67	
Stift Durchmesser	Pin Diameter		0,6mm	
Werkstoffe	Kontakte	Materials	Kontakte	Kupferlegierung / copper alloy
	Kontaktoberfläche		Kontakte Plating	Au/Ni
	Kontaktträger		Dielectric Material	PA 6.6
	Dichtung (O-Ring)		Gaskets (O-Ring)	NBR
	Gehäuse		Housing	CuZn mit Ni-Oberfläche / Nickel Plated Brass
Anschlußart	Termination		Einlöt / Solder	
Brennbarkeit	Kontaktträger	Flammfähigkeit	Inserts	UL 94 V-0
	Leitung / Kabel		Cable	VDE 0472 / 804
Mechanische Lebensdauer	Mechanical Operation		500 Steckzyklen / Mating Cycles	
Temperaturbereich	Temperature Range	IEC 60668-1	-25°C / +90°C	

Panel Cutout



(1:1)



EC NO: WEU2010-0369 DRWN: NS 16.02.10 CHKD: FP 13.11.08 APPR: FP 18.02.10	QUALITY SYMBOLS =0 =0	GENERAL TOLERANCES (UNLESS SPECIFIED)	DIMENSION STYLE		SCALE	DESIGN UNITS	FIRST ANGLE PROJECTION
			mm	INCH	2:1	METRIC	
			4 PLACES ±---	±----	MM ONLY		
3	REV	DESCRIPTION	DRAWN BY DATE		MIC 12-P REC Male-Back-M16x1.5		SHEET NO. 1 OF 1
			US	19.09.2008	CHECKED BY DATE		
			NS	19.09.2008	APPROVED BY DATE		
		1 PLACE ±0,10 ±---		NS	19.09.2008	MOLEX INCORPORATED	
		ANGULAR ± 1/2 °		MATERIAL NO.		DOCUMENT NO.	
		DRAFT WHERE APPLICABLE MUST REMAIN WITHIN DIMENSIONS		SD-WRCU46000			
		SIZE A3		THIS DRAWING CONTAINS INFORMATION THAT IS PROPRIETARY TO MOLEX INCORPORATED AND SHOULD NOT BE USED WITHOUT WRITTEN PERMISSION			

Mouser Electronics

Authorized Distributor

Click to View Pricing, Inventory, Delivery & Lifecycle Information:

[Molex:](#)

[1200845091](#)