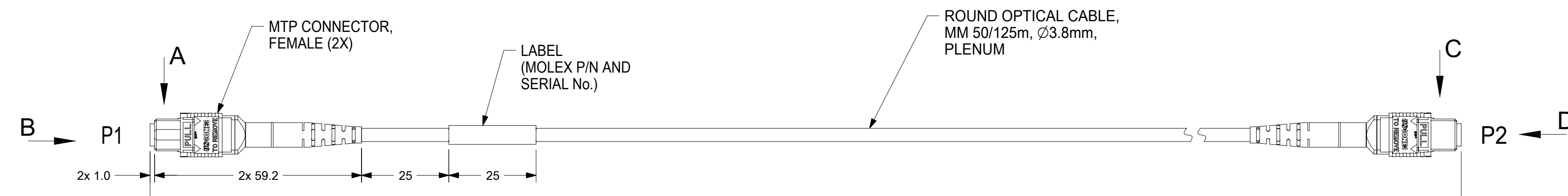
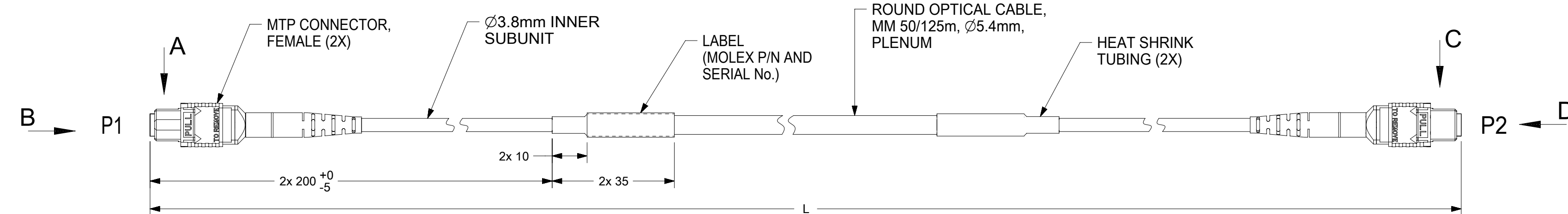


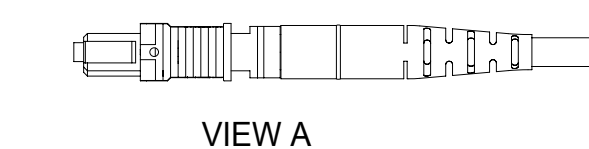
CXP CABLE ASSEMBLY PART NUMBER			OVERALL LENGTH L (m)	CABLE DIA. (mm)	CABLE TYPE
STANDARD BANDWIDTH (OM2)* (ORANGE CABLE)	STANDARD BANDWIDTH (OM3)* (AQUA CABLE)	STANDARD BANDWIDTH (OM4)* (AQUA CABLE)			
106284-0001	106284-1001	106284-7001	1.0 +0.2/-0	3.8	24 FIBER ROUND CABLE, SINGLE JACKET
106284-0151	TBD	TBD	1.5 +0.2/-0		
106284-0002	106284-1002	106284-7002	2.0 +0.2/-0		
106284-0003	106284-1003	106284-7003	3.0 +0.2/-0		
106284-0004	106284-1004	106284-7004	4.0 +0.2/-0		
106284-0005	106284-1005	106284-7005	5.0 +0.2/-0		
106284-0006	106284-1006	106284-7006	6.0 +0.2/-0		
106284-0008	106284-1008	106284-7008	8.0 +0.2/-0		
106284-0010	106284-1010	106284-7010	10.0 +0.3/-0		
106284-0012	106284-1012	106284-7012	12.0 +0.3/-0		
106284-0015	106284-1015	106284-7015	15.0 +0.3/-0		
106284-0020	106284-1020	106284-7020	20.0 +0.4/-0		
106284-0025	106284-1025	106284-7025	25.0 +0.5/-0		
106284-0030	106284-1030	106284-7030	30.0 +0.6/-0		
106284-0035	106284-1035	106284-7035	35.0 +0.7/-0		
106284-0040	106284-1040	106284-7040	40.0 +0.8/-0		
106284-0045	106284-1045	106284-7045	45.0 +0.9/-0		
106284-0050	106284-1050	106284-7050	50.0 +1.0/-0		
106284-0055	106284-1055	106284-7055	55.0 +1.1/-0		
106284-0060	106284-1060	106284-7060	60.0 +1.2/-0		
106284-0065	106284-1065	106284-7065	65.0 +1.3/-0		
106284-0070	106284-1070	106284-7070	70.0 +1.4/-0		
106284-0075	106284-1075	106284-7075	75.0 +1.5/-0		
106284-0080	106284-1080	106284-7080	80.0 +1.6/-0		
106284-0085	106284-1085	106284-7085	85.0 +1.7/-0		
106284-0090	106284-1090	106284-7090	90.0 +1.8/-0		
106284-0095	106284-1095	106284-7095	95.0 +1.9/-0		
106284-0100	106284-1100	106284-7100	100.0 +2.0/-0		
106284-0150	106284-1150	106284-7150	150.0 +3.0/-0		
TBD	106284-1200	106284-7200	200.0 +4.0/-0		
TBD	106284-1250	106284-7250	250.0 +5.0/-0		
TBD	106284-1300	106284-7300	300.0 +6.0/-0		



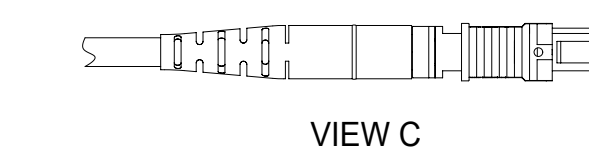
SINGLE JACKET ASSEMBLY



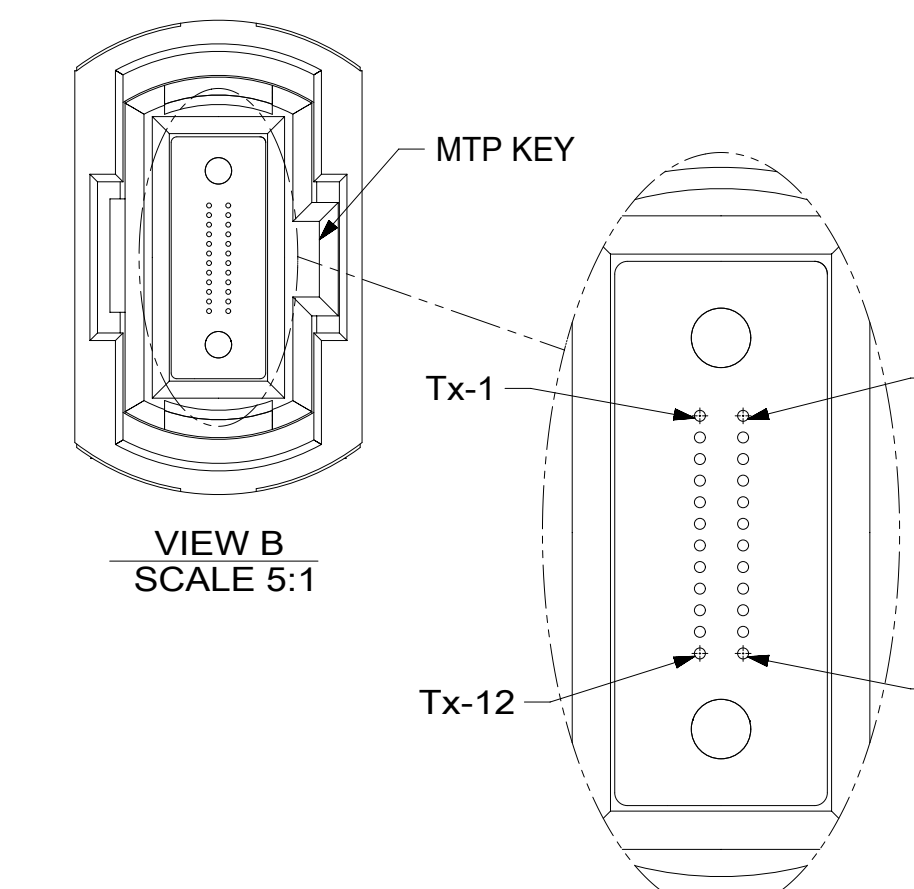
DUAL JACKET ASSEMBLY



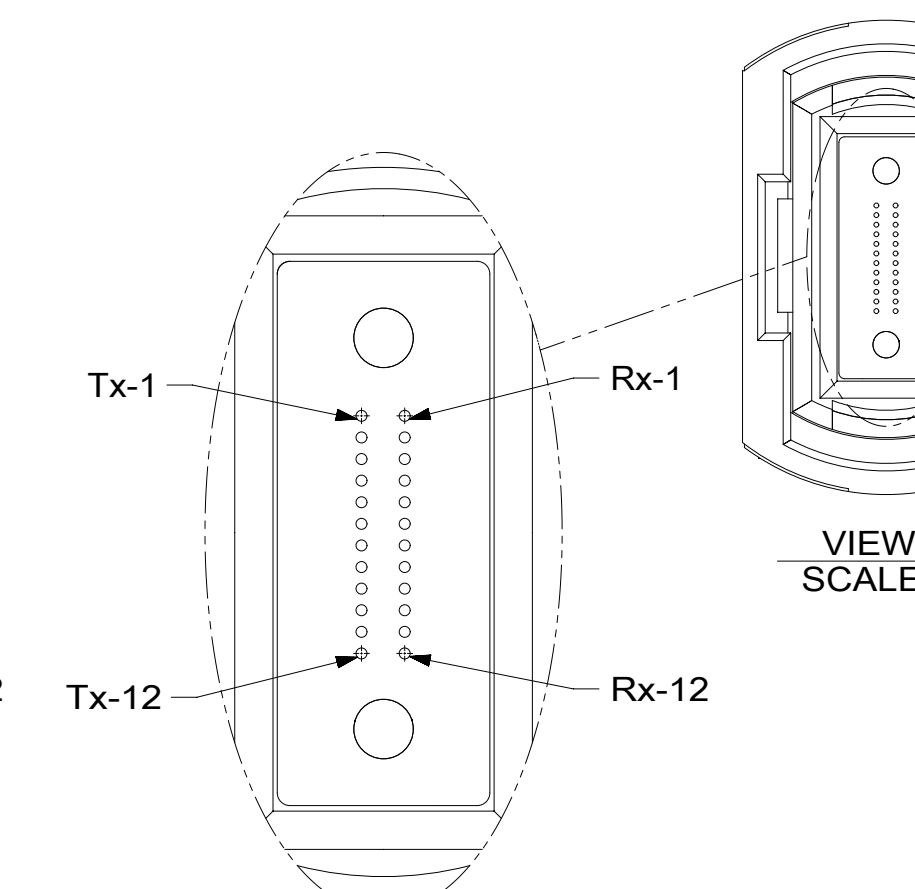
VIEW A



VIEW C



VIEW B SCALE 5:1



VIEW D SCALE 5:1

NOTE:  
 CABLE ASSEMBLY SPECIFICATIONS:  
 OPTICAL PROPERTIES  
 FIBER TYPE MULTIMODE 50/125 m BEND-INSENSITIVE  
 CONNECTOR INSERTION LOSS (MAX.) 1.0 dB  
 CABLE ATTENUATION (MAX.) 3.5/1.2 dB/km AT 850/1300 nm  
 \*BANDWIDTH SEE TABLE 1  
 ENVIRONMENTAL PROPERTIES  
 CONNECTOR MATERIALS UL94 V-0  
 CABLE FLAMMABILITY RATING PLENUM OFNP (NFPA 262/UL 910)  
 OPERATING TEMPERATURE RANGE -0°C TO +70°C  
 MECHANICAL PROPERTIES  
 FIBER COUNT 24F = 12 Rx / 12 Tx  
 CABLE MIN. BEND RADIUS  
 SHORT TERM 57 mm - SINGLE JACKET  
 89 mm - DUAL JACKET  
 LONG TERM 20 mm - SINGLE JACKET/INNER SUBUNIT OF DUAL JACKETED CABLE  
 57 mm - DUAL JACKET  
 NO LOAD 12.5 mm - SINGLE JACKET CABLE/INNER SUBUNIT OF DUAL JACKETED CABLE  
 COMPRESSIVE FORCE >3.5 N/mm - SINGLE JACKET CABLE/INNER SUBUNIT OF DUAL JACKETED CABLE

TABLE 1

FIBER TYPE	OVERFILLED LAUNCH BANDWIDTH, MIN. (MHz-km)		1 GIGABIT ETHERNET LINK DISTANCE, MIN. (m)		10 GIGABIT ETHERNET LINK DISTANCE, MIN. (m)		40 & 100 GIGABIT ETHERNET LINK DISTANCE, MIN. (m)		EFFECTIVE MODAL BANDWIDTH (MHz-km)
	850 nm	1300 nm	850 nm	1300 nm	850 nm	1300 nm	850 nm	1300 nm	850 nm
STANDARD BANDWIDTH (OM2)	500	500	600	---	86	---	---	---	---
HIGH BANDWIDTH (OM3)	1500	500	1000	---	300	---	100	---	2000
HIGH BANDWIDTH (OM4)	3500	550	1040	---	550	---	150	---	4700

THIS DRAWING CONTAINS INFORMATION THAT IS PROPRIETARY TO MOLEX ELECTRONIC TECHNOLOGIES, LLC AND SHOULD NOT BE USED WITHOUT WRITTEN PERMISSION

QUALITY SYMBOLS	EC NO: 170298 DRWN: MAGHAYER01 CHKD: IGUMIN REV APPR: IGUMIN	2017/11/28 2018/01/16 2018/01/16	GENERAL TOLERANCES (UNLESS SPECIFIED) ANGULAR TOL ± 0.5 ° 4 PLACES ± 3 PLACES ± 2 PLACES ± 1 PLACE ± 0 PLACES ± DRAFT WHERE APPLICABLE MUST REMAIN WITHIN DIMENSIONS	DIMENSION UNITS: mm SCALE: 1:1 DRWN BY: IGUMIN DATE: 2009/01/16 CHKD BY: IGUMIN DATE: 2009/01/16 APPR BY: IGUMIN DATE: 2009/01/16	
PRODUCT CUSTOMER DRAWING					
SERIES: 106284 MATERIAL NUMBER: SEE TABLE CUSTOMER: GENERAL MARKET		DOCUMENT NUMBER: SD-106284-0001 DOC TYPE: PSD DOC PART: 001 SHEET NUMBER: 1 OF 1			

# Mouser Electronics

Authorized Distributor

Click to View Pricing, Inventory, Delivery & Lifecycle Information:

[Molex:](#)

[106284-7010](#)