

**PLEASE CHECK WWW.MOLEX.COM FOR LATEST PART INFORMATION**

**Part Number:** [1062500231](#)  
**Status:** **Active**  
**Overview:** Optical EMI Shielding Adapters  
**Description:** MXC\*-to-PRIZM† MT Optical EMI Adapter, Single Port, Screw Mount, with Internal Safety Shutter

**Documents:**

[Drawing \(PDF\)](#)

[Datasheet \(PDF\)](#)

[RoHS Certificate of Compliance \(PDF\)](#)

**General**

Product Family	Fiber Optic Adapters
Series	<a href="#">106250</a>
Component Type	EMI Shielding
Mode	Multimode
Overview	<u>Optical EMI Shielding Adapters</u>
Product Name	MXC, PRIZM MT
Type	Adapter
UPC	889056755498

**Physical**

Alignment Sleeve	N/A
Angled Physical Contact (APC)	N/A
Color - Resin	N/A
Ferrule Material	N/A
Gender	Hermaphroditic
Material - Housing	Die-Cast
Mounting Style	Screws
Orientation	Straight
Panel Mount	With Flange
Ports	1
Shutter	Internal, One Side

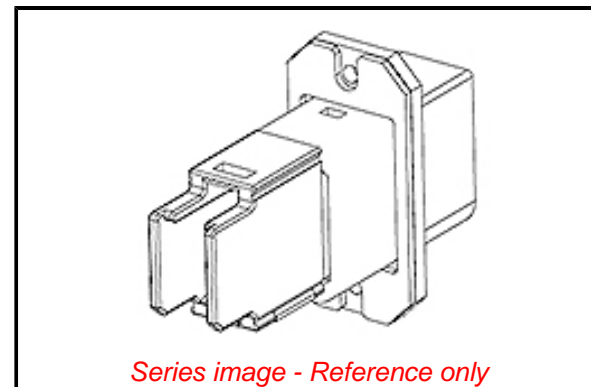
**Electrical**

Shield Type	EMI Gasket
Shielded	Yes

**Material Info**

**Reference - Drawing Numbers**

Sales Drawing	1062500231-000
---------------	----------------



*Series image - Reference only*

**EU ELV**

**Not Reviewed**

**EU RoHS**

**Not Reviewed**

**REACH SVHC**

Not Reviewed

**Halogen-Free**

**Status**

**Not Reviewed**

For more information, please visit [Contact US](#)

China ROHS

Not Reviewed

ELV

Not Reviewed

RoHS Phthalates

Not Reviewed

**Search Parts in this Series**

[106250 Series](#)

**Use With**

Optical Cable Assemblies and FlexPlane  
Optical Circuitry

# Mouser Electronics

Authorized Distributor

Click to View Pricing, Inventory, Delivery & Lifecycle Information:

[Molex:](#)

[106250-0231](#)