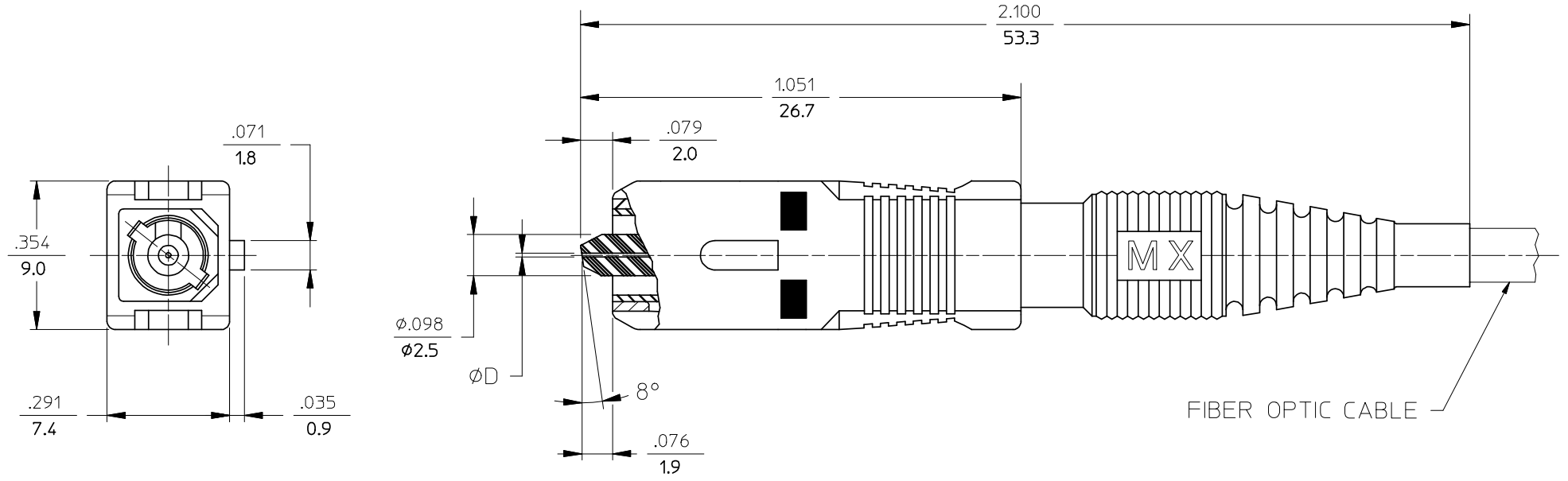


P/N of SC CONNECTOR	∅D (μm)	MATERIAL OF FERRULE	FIBER OPTIC CABLE SIZE(mm)
106065-2000	125.5	Zr	3
106065-2300			2.4
106065-4000	125		3
106065-5000	126		3
106065-5100*			2.4
106065-5300			2.4
106065-5700*			



NOTES:
 *1. P/N 106065-5100 IS BULK PACKED IN QUANTITIES OF 100 PCS.

ENTER DESCRIPTION EC NO: MF2008-0435 DRAWN:KPEVZNER 2008/04/09 CHKD: 2008/04/09 APPR: IGUMIN 2008/04/10	REV DESCRIPTION A1	QUALITY SYMBOLS	GENERAL TOLERANCES (UNLESS SPECIFIED)	DIMENSION STYLE	SCALE	DESIGN UNITS	THIRD ANGLE PROJECTION		
		▽=0 ∇=0	mm INCH 4 PLACES ± --- ± --- 3 PLACES ± --- ± --- 2 PLACES ± --- ± --- 1 PLACE ± --- ± --- ANGULAR ±1/2°	IN/MM	5:1	INCH	DRAWN BY: PGIBLIN DATE: 2005/09/26 CHECKED BY: _____ DATE: _____ APPROVED BY: _____ DATE: _____	TITLE: SC APC CONNECTOR MOLEX INCORPORATED MATERIAL NO. SEE TABLE DOCUMENT NO. SD-106065-XX00 SHEET NO. 1 OF 1	
		DRAFT WHERE APPLICABLE MUST REMAIN WITHIN DIMENSIONS		THIS DRAWING CONTAINS INFORMATION THAT IS PROPRIETARY TO MOLEX INCORPORATED AND SHOULD NOT BE USED WITHOUT WRITTEN PERMISSION					

Mouser Electronics

Authorized Distributor

Click to View Pricing, Inventory, Delivery & Lifecycle Information:

[Molex:](#)

[106065-5300](#)