

PLEASE CHECK WWW.MOLEX.COM FOR LATEST PART INFORMATION

Part Number: [0982980006](#)
Status: **Active**
Overview: MOX Products
Description: 2.54mm Pitch MOX Receptacle Housing, 6 Circuits, Breakable, Dual Row, Blue

Documents:

[Drawing \(PDF\)](#) [Packaging Specification PK-98298-001-001 \(PDF\)](#)
[Application Specification 982980001-AS-CH-000 \(PDF\)](#) [RoHS Certificate of Compliance \(PDF\)](#)
[Application Specification AS-98298-001-001 \(PDF\)](#)

General

| | |
|----------------|----------------------|
| Product Family | Crimp Housings |
| Series | 98298 |
| Application | Power, Wire-to-Board |
| Comments | 2x3 Circuits |
| Overview | MOX Products |
| Product Name | MOX |
| UPC | 822348723843 |

Physical

| | |
|-------------------------------|----------------|
| Circuits (maximum) | 6 |
| Color - Resin | Blue |
| Gender | Receptacle |
| Glow-Wire Capable | No |
| Keying to Mating Part | None |
| Lock to Mating Part | Yes |
| Material - Resin | Polyester |
| Net Weight | 2.499/g |
| Number of Rows | 2 |
| Packaging Type | Bag |
| Panel Mount | No |
| Pitch - Mating Interface | 2.54mm |
| Pitch - Termination Interface | 2.54mm |
| Polarized to Mating Part | Yes |
| Stackable | No |
| Temperature Range - Operating | -40° to +105°C |

Electrical

| | |
|-------------------------------|------|
| Current - Maximum per Contact | 6.0A |
|-------------------------------|------|

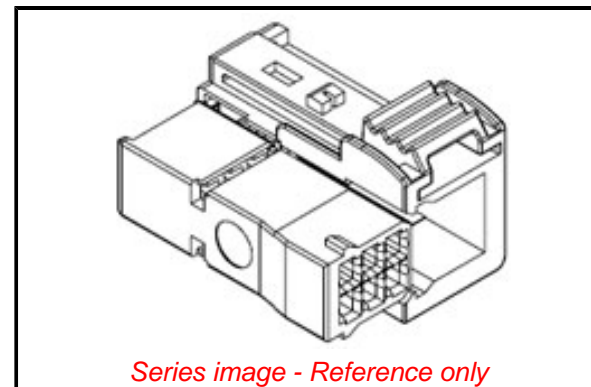
Solder Process Data

| | |
|-----------------------------|-----|
| Lead-freeProcess Capability | N/A |
|-----------------------------|-----|

Material Info

Reference - Drawing Numbers

| | |
|---------------------------|---------------------------------------|
| Application Specification | 982980001-AS-CH-000, AS-98298-001-001 |
| Packaging Specification | PK-98298-001-001 |
| Sales Drawing | SD-98298-002-001, SD-98298-003-001 |



EU ELV

Compliant

EU RoHS

Compliant

REACH SVHC

Not Contained Per -
D(2021)4569-DC (8
July 2021)

Halogen-Free

Status

Not Relevant

For more information, please visit [Contact US](#)

China ROHS

Not Relevant

ELV

Compliant

RoHS Phthalates

Not Contained

Search Parts in this Series

[98298 Series](#)

Mates With

Please Contact Molex for Details

Use With

[98658 MOX Crimp Terminal](#)

Mouser Electronics

Authorized Distributor

Click to View Pricing, Inventory, Delivery & Lifecycle Information:

[Molex:](#)

[98298-0006](#)