

PLEASE CHECK WWW.MOLEX.COM FOR LATEST PART INFORMATION

Part Number: [0950432892](#)
Status: **Active**
Overview: Magnetic and Modular Jacks/Plugs
Description: Modular Plug, Cat5e, Short Body, Shielded, 8/8, Beige/Gray Boot

Documents:

3D Model	Application Specification AS-95043-001 (PDF)
Drawing (PDF)	RoHS Certificate of Compliance (PDF)
Product Specification PS-95043-001 (PDF)	Product Literature (PDF)

Agency Certification

CSA	LR19980
UL	E107635

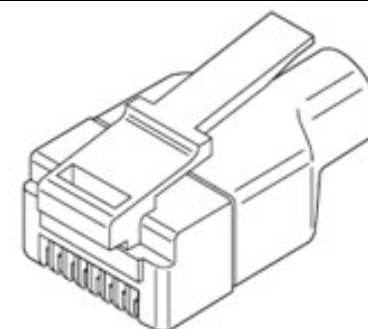
General

Product Family	Modular Jacks/Plugs
Series	95043
Comments	Colored Boot Cable to Plug Tensile Strength: 98.0N, Colored Boot Cable to Plug Tensile Strength: 98.0N
Component Type	Wire Plug
Magnetic	No
Overview	Magnetic and Modular Jacks/Plugs
Performance Category	5e
Power over Ethernet (PoE)	N/A
Product Literature Order No	987650-8441
Product Name	Modular Plug 8/8, RJ45
UPC	800754225700

Physical

Boot Color	Gray
Color - Resin	Clear
Durability (mating cycles max)	750
Flammability	94V-2
Inverted / Top Latch	N/A
Jack Height	N/A
Lightpipes/LEDs	None
Material - Metal	Phosphor Bronze
Material - Plating Mating	Gold
Material - Plating Termination	Tin
Material - Resin	Polycarbonate
Net Weight	3.080/g
Orientation	N/A
PCB Locator	No
PCB Retention	None
Packaging Type	Bag
Pitch - Mating Interface	1.02mm
Plating min - Mating	1.270µm
Plating min - Termination	1.270µm
Port Configuration	1x1
Positions / Loaded Contacts	8/8
Surface Mount Compatible (SMC)	N/A
Temperature Range - Operating	-40° to +60°C
Termination Interface: Style	IDT or Pierce
Waterproof / Dustproof	No
Wire/Cable Type	Round

Electrical



Series image - Reference only

EU ELV

Not Relevant

EU RoHS

Compliant

REACH SVHC

Not Contained Per -
ED/71/2019 (16 July
2019)

Halogen-Free

Status

Not Low-Halogen

For more information, please visit [Contact US](#)

China ROHS

ELV

RoHS Phthalates

China RoHS

Green Image

Not Relevant

Not Contained

Search Parts in this Series

[95043 Series](#)

Mates With

FCC 68 Jacks

Application Tooling | FAQ

Tooling specifications and manuals are found by selecting the products below. Crimp Height Specifications are then contained in the Application Tooling Specification document.

Global

Description	Product #
Parallel Action Handtool for Shielded Plug, Cat 5, 8/8 Circuit, Short Body	690081100

Current - Maximum per Contact	1.5A
Grounding to Panel	N/A
Shielded	Yes
Voltage - Maximum	125V DC

Material Info

Reference - Drawing Numbers

Application Specification	AS-95043-001
Product Specification	PS-95043-001
Sales Drawing	950430001-000

This document was generated on 09/25/2019

PLEASE CHECK WWW.MOLEX.COM FOR LATEST PART INFORMATION

Mouser Electronics

Authorized Distributor

Click to View Pricing, Inventory, Delivery & Lifecycle Information:

[Molex:](#)

[95043-2892](#)