

**PLEASE CHECK WWW.MOLEX.COM FOR LATEST PART INFORMATION**

**Part Number:** [0942403818](#)  
**Status:** **Active**  
**Overview:** MOX Products  
**Description:** 2.54mm Pitch, MOX Header, 3.50mm Grid, Through Hole, PBT, Vertical, 18 Circuit, Gray

**Documents:**

<a href="#">3D Model</a>	<a href="#">Product Specification TS-94240-002-001 (PDF)</a>
<a href="#">Drawing (PDF)</a>	<a href="#">Packaging Specification PK-94240-001 (PDF)</a>
<a href="#">Product Specification PS-94240-001-001 (PDF)</a>	<a href="#">RoHS Certificate of Compliance (PDF)</a>

**General**

Product Family	PCB Headers
Series	<a href="#">94240</a>
Application	Power, Wire-to-Board
Overview	<a href="#">MOX Products</a>
Product Name	MOX
UPC	822348367818

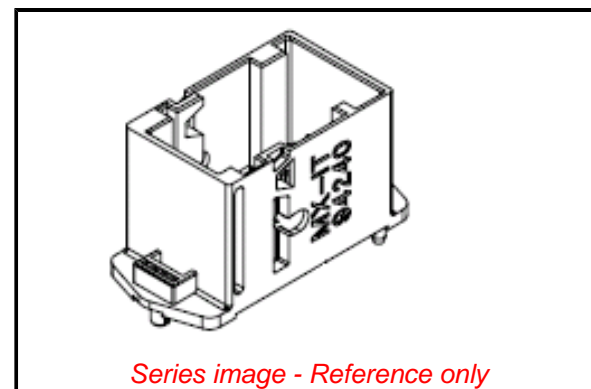
**Physical**

Breakaway	No
Circuits (Loaded)	18
Circuits (maximum)	18
Color - Resin	Natural
Durability (mating cycles max)	100
First Mate / Last Break	No
Glow-Wire Compliant	No
Lock to Mating Part	Yes
Material - Metal	Brass
Material - Plating Mating	Tin
Material - Plating Termination	Tin
Material - Resin	Polyester
Net Weight	5.350/g
Number of Rows	2
Orientation	Vertical
PC Tail Length	3.30mm
PCB Locator	Yes
PCB Retention	Yes
PCB Thickness - Recommended	1.60mm
Packaging Type	Tray
Pitch - Mating Interface	2.54mm
Pitch - Termination Interface	2.54mm
Plating min - Mating	3.048µm
Plating min - Termination	3.048µm
Polarized to Mating Part	Yes
Polarized to PCB	Yes
Shrouded	Partial
Stackable	No
Surface Mount Compatible (SMC)	No
Temperature Range - Operating	-25°C to +105°C
Termination Interface: Style	Through Hole

**Electrical**

Current - Maximum per Contact	6.0A
Voltage - Maximum	125V

**Solder Process Data**



*Series image - Reference only*

**EU ELV**

**Compliant**

**EU RoHS**

**Compliant**

**REACH SVHC**

Not Contained Per -  
ED/21/2016 (20 June  
2016)

**Halogen-Free**

**Status**

**Not Relevant**

**Need more information on product environmental compliance?**

Email [productcompliance@molex.com](mailto:productcompliance@molex.com)  
Please visit the [Contact Us](#) section for any non-product compliance questions.

China ROHS	Not Relevant
ELV	Compliant
RoHS Phthalates	Not Contained

**Search Parts in this Series**

[94240](#) Series

**Mates With**

[98695](#)

Duration at Max. Process Temperature (seconds)	010
Lead-freeProcess Capability	WAVE
Max. Cycles at Max. Process Temperature	003
Process Temperature max. C	250

**Material Info**

**Reference - Drawing Numbers**

Packaging Specification	PK-94240-001
Product Specification	PS-94240-001-001, TS-94240-002-001
Sales Drawing	SD-94240-003

This document was generated on 01/09/2017

**PLEASE CHECK [WWW.MOLEX.COM](http://WWW.MOLEX.COM) FOR LATEST PART INFORMATION**

# Mouser Electronics

Authorized Distributor

Click to View Pricing, Inventory, Delivery & Lifecycle Information:

[Molex:](#)

[94240-3818](#)