

**PLEASE CHECK WWW.MOLEX.COM FOR LATEST PART INFORMATION**

**Part Number:** [0940904160](#)  
**Status:** **Active**  
**Overview:** Standard Quick-Disconnect Terminals  
**Description:** 10.70mm Pitch Quick Disconnect Housing, accepts 6.35mm x 0.81mm Male Tab Terminal, 1020 AWG Wire, , 4 Circuits

**Documents:**

[3D Model](#) [Product Specification PS-94090-001 \(PDF\)](#)  
[Drawing \(PDF\)](#) [RoHS Certificate of Compliance \(PDF\)](#)

**General**

Product Family	Crimp Housings
Series	<a href="#">94090</a>
Application	Power, Wire-to-Wire
Overview	<a href="#">Standard Quick-Disconnect Terminals</a>
Product Name	Quick Disconnect
UPC	800754328326

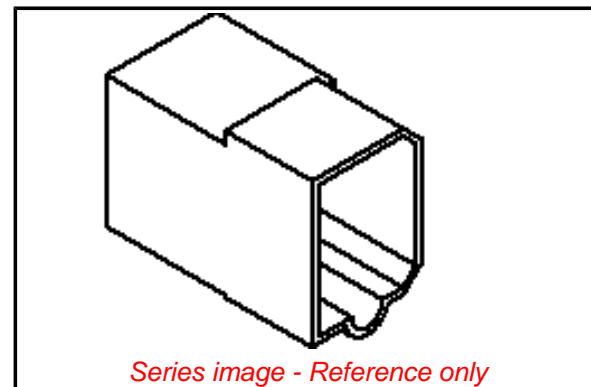
**Physical**

Breakaway	No
Circuits (maximum)	4
Color - Resin	White
Gender	Male
Glow-Wire Compliant	No
Lock to Mating Part	None
Material - Resin	Nylon
Net Weight	3.660/g
Number of Rows	2
Packaging Type	Bag
Panel Mount	No
Pitch - Mating Interface	10.70mm
Pitch - Termination Interface	10.70mm
Polarized to Mating Part	Yes
Temperature Range - Operating	-40°C to +105°C

**Material Info**

**Reference - Drawing Numbers**

Product Specification	PS-94090-001
Sales Drawing	SD-94090-024



**EU ELV**

**Compliant**

**EU RoHS**

**Compliant**

**REACH SVHC**

Not Contained Per -  
ED/108/2014 (17 Dec  
2014)

**Halogen-Free**

**Status**

**Not Relevant**

**Need more information on product environmental compliance?**

Email [productcompliance@molex.com](mailto:productcompliance@molex.com)  
Please visit the [Contact Us](#) section for any non-product compliance questions.

China ROHS  
ELV

Not Relevant  
Compliant

**Search Parts in this Series**

[94090 Series](#)

**Mates With**

[940904140](#)

**Use With**

[94030-407\\*](#)|[94030-408\\*](#)|[94030-409\\*](#)|  
[94030-743\\*](#)|[94030-744\\*](#)|[94030-745\\*](#)

# Mouser Electronics

Authorized Distributor

Click to View Pricing, Inventory, Delivery & Lifecycle Information:

[Molex:](#)

[94090-4160](#)