

PLEASE CHECK WWW.MOLEX.COM FOR LATEST PART INFORMATION

Part Number: [0940305001](#)
Status: **Active**
Overview: [Standard Quick-Disconnect Terminals](#)
Description: Quick Disconnect, Female, Flag, for (0.50-1.00mm²) 18-20 AWG Wire, Accepts 6.35 x 0.81mm Tab

Documents:

[Drawing \(PDF\)](#) [RoHS Certificate of Compliance \(PDF\)](#)

General

Product Family	Quick Disconnects
Series	94030
Crimp Quality Equipment	Yes
Insulated	No
Overview	Standard Quick-Disconnect Terminals
Product Name	N/A
Type	Quick Disconnect
UPC	800754326803

Physical

Barrel Type	Open
Gender	Female
Glow-Wire Compliant	No
Insulation	None
Lock to Mating Part	No
Material - Metal	Brass
Material - Plating Mating	Tin
Material - Plating Termination	Tin
Net Weight	0.712/g
Orientation	Flag
Packaging Type	Reel
Plating min - Mating	3.048µm
Plating min - Termination	3.048µm
Polarized to Mating Part	Yes
Tab Thickness	0.81mm
Tab Width	6.35mm
Temperature Range - Operating	-40°C to +80°C
Termination Interface: Style	Crimp or Compression
Wire Insulation Diameter	2.00-3.30mm
Wire Size AWG	18, 20
Wire Size mm ²	0.50-1.00

Electrical

Voltage - Maximum	250V
-------------------	------

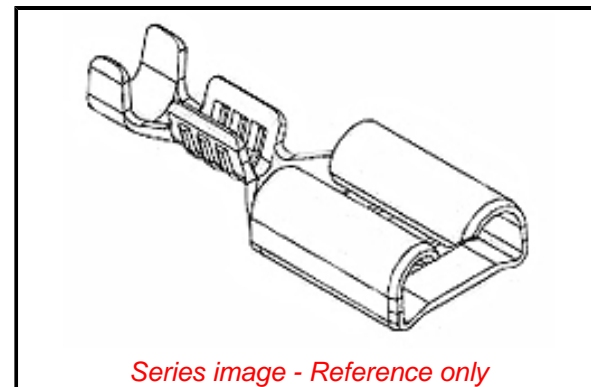
Solder Process Data

Lead-free Process Capability	N/A
------------------------------	-----

Material Info

Reference - Drawing Numbers

Sales Drawing	94030-500X-SD
---------------	---------------



Series image - Reference only

EU ELV

Compliant

EU RoHS

Compliant

REACH SVHC

Not Contained Per -
ED/21/2016 (20 June
2016)

Halogen-Free

Status

Not Relevant

Need more information on product environmental compliance?

Email productcompliance@molex.com
Please visit the [Contact Us](#) section for any non-product compliance questions.

China ROHS	Not Relevant
ELV	Compliant
RoHS Phthalates	Not Contained

Search Parts in this Series

[94030](#) Series

Use With

[94090-4030](#)

Application Tooling | FAQ

Tooling specifications and manuals are found by selecting the products below. Crimp Height Specifications are then contained in the Application Tooling Specification document.

Global

Description	Product #
Hand Tool for Quick Disconnect, Female Flag for 0.50 and 0.80mm ² , 18-20 AWG	0638193200

Hand Tool for Quick 0638198400
Disconnect, Female
Flag for 0.80 -
1.00mm², 18 AWG
Mini-Mac™ 0638950700
Applicator for
Quick Disconnect
Terminals, Female,
0.50-1.00mm² 18-20
AWG

This document was generated on 11/18/2016

PLEASE CHECK WWW.MOLEX.COM FOR LATEST PART INFORMATION

Mouser Electronics

Authorized Distributor

Click to View Pricing, Inventory, Delivery & Lifecycle Information:

[Molex:](#)

[94030-5001](#)