

PLEASE CHECK WWW.MOLEX.COM FOR LATEST PART INFORMATION

Part Number: **0923162010**
Status: **Active**
Overview: Picoflex Ribbon-Cable Connectors
Description: Picoflex PF-50 IDT-to-Board-in, 20 Circuits, 0.10m Length

Documents:

3D Model [Product Specification PS-99020-0011-001 \(PDF\)](#)
3D Model (PDF) [RoHS Certificate of Compliance \(PDF\)](#)
Drawing (PDF)

Application tooling part link

Application Tooling Part Link 62100-6000
Application Tooling Part Link 62100-6010

General

Product Family Cable Assemblies
Series 92316
Assembly Configuration Dual Ended Connectors
Connector to Connector Picoflex PCB-to-IDT
Overview Picoflex Ribbon-Cable Connectors
Product Name Picoflex
UPC 800754786393

Physical

Cable Length 0.10m
Circuits (Loaded) 20
Color - Resin Natural
Gender Female-Female
Lock to Mating Part None
Material - Metal Phosphor Bronze
Material - Plating Mating Tin
Material - Plating Termination Tin
Material - Resin Polyester
Net Weight 5.840/g
Number of Rows 2
Packaging Type Bag
Pitch - Mating Interface 1.27mm
Plating min - Mating 2.032µm
Plating min - Termination 2.032µm
Single Ended No
Termination Interface: Style IDT or Pierce, Through Hole - Kinked Pin
Waterproof / Dustproof No
Wire Insulation Diameter N/A
Wire Size AWG 28
Wire/Cable Type PVC, Ribbon Cable

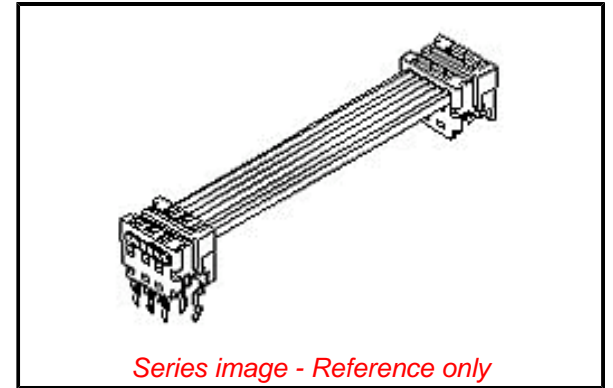
Electrical

Current - Maximum per Contact 1.2A
Shielded No
Voltage - Maximum 250V

Material Info

Reference - Drawing Numbers

Product Specification PS-99020-0011-001
Sales Drawing SD-92316-001-001



EU ELV

Not Relevant

EU RoHS

Compliant

REACH SVHC

Not Contained Per -
D(2021)4569-DC (8
July 2021)

Halogen-Free

Status

Not Low-Halogen

For more information, please visit [Contact US](#)

China ROHS

ELV

RoHS Phthalates

China RoHS

Green Image

Not Relevant

Not Contained

Search Parts in this Series

92316 Series

Mates With

Picoflex PF-50 Header 90325 , 90800 ,
90779 , 90715 , 90814

Application Tooling | FAQ

Tooling specifications and manuals are found by selecting the products below. Crimp Height Specifications are then contained in the Application Tooling Specification document.

Global

Description

Product #

Extractor Tool for 621006000
Connectors

This document was generated on 09/27/2021

PLEASE CHECK WWW.MOLEX.COM FOR LATEST PART INFORMATION

Mouser Electronics

Authorized Distributor

Click to View Pricing, Inventory, Delivery & Lifecycle Information:

[Molex:](#)

[92316-2010](#)