

PLEASE CHECK WWW.MOLEX.COM FOR LATEST PART INFORMATION

Part Number: [0917170023](#)
Status: **Active**
Overview: [RAST 2.5 Connector System](#)
Description: 5.00mm Appli-Mate RAST 2.5 IDT Housing, Direct/Indirect, Female, 2 Circuits

Documents:

3D Model	Application Specification 990330008-000 (PDF)
Drawing (PDF)	Packaging Specification PK-90871-001-001 (PDF)
Product Specification PS-99020-0040-001 (PDF)	RoHS Certificate of Compliance (PDF)

Agency Certification

CSA	LR19980
UL	E29179

General

Product Family	IDT and Solder Connectors
Series	91717
Crimp Quality Equipment	Yes
Overview	RAST 2.5 Connector System
Product Name	RAST 2.5
UPC	822348490899
Use With	RAST standard interface

Physical

Circuits (Loaded)	2
Circuits (maximum)	2
Color - Resin	Natural (White)
Durability (mating cycles max)	10
Flammability	94V-0
Gender	Female
Glow-Wire Capable	No
Lock to Mating Part	None
Material - Metal	Phosphor Bronze
Material - Plating Mating	Tin
Material - Plating Termination	Tin
Material - Resin	Nylon
Net Weight	0.795/g
Number of Rows	1
Packaging Type	Tray
Panel Mount	No
Pitch - Mating Interface	5.00mm
Pitch - Termination Interface	5.00mm
Plating min - Mating	1.016µm
Plating min - Termination	1.016µm
Polarized to Mating Part	No
Stackable	No
Temperature Range - Operating	-20° to +85°C
Termination Interface: Style	IDT or Pierce
Wire Size AWG	22, 24

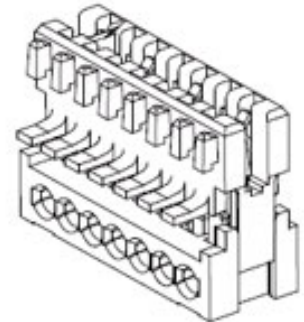
Electrical

Current - Maximum per Contact	2.0A, 4.0A
Voltage - Maximum	250V AC

Solder Process Data

Lead-freeProcess Capability	N/A
-----------------------------	-----

Material Info



Series image - Reference only

EU ELV

Not Relevant

EU RoHS

Compliant

REACH SVHC

Not Contained Per
-ED/88/2018 (15
January 2019)

Halogen-Free

Status

Low-Halogen

For more information, please visit [Contact US](#)

China ROHS

ELV

RoHS Phthalates

China RoHS

Green Image

Not Relevant

Not Contained

Search Parts in this Series

[91717 Series](#)

Mates With

Appli-Mate RAST 2.5 Header [90861](#) , [90860](#)

Reference - Drawing Numbers

Application Specification	990330008-000
Packaging Specification	PK-90871-001-001
Product Specification	PS-99020-0040-001
Sales Drawing	917170001-000

This document was generated on 05/22/2019

PLEASE CHECK WWW.MOLEX.COM FOR LATEST PART INFORMATION

Mouser Electronics

Authorized Distributor

Click to View Pricing, Inventory, Delivery & Lifecycle Information:

[Molex:](#)

[91717-0023](#)