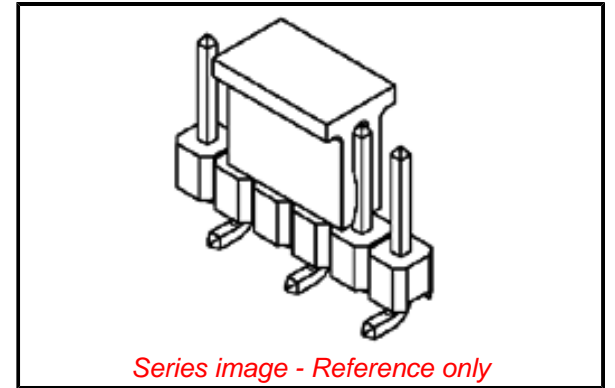


**PLEASE CHECK WWW.MOLEX.COM FOR LATEST PART INFORMATION**

**Part Number:** **0878980855**  
**Status:** **Active**  
**Overview:** C-Grid Connector Products  
**Description:** C-Grid / SL Header, Surface Mount, Breakaway, Vertical, 8 Circuits, 0.76µm Gold (Au) Plating, Tape on Reel Packaging, with Cap, Lead-Free

**Documents:**

<a href="#">Drawing (PDF)</a>	<a href="#">Test Summary 879200000-TS-000 (PDF)</a>
<a href="#">Product Specification PS-87920-019-001 (PDF)</a>	<a href="#">Test Summary 879200001-TS-000 (PDF)</a>
<a href="#">Application Specification 713080001-AS-000 (PDF)</a>	<a href="#">RoHS Certificate of Compliance (PDF)</a>
<a href="#">Packaging Specification PK-89990-486-001 (PDF)</a>	



**Agency Certification**

UL E29179

**General**

Product Family	PCB Headers
Series	<a href="#">87898</a>
Application	Board-to-Board, Signal, Wire-to-Board
Overview	<a href="#">C-Grid Connector Products</a>
Product Name	C-Grid, SL
UPC	822350833509

**Physical**

Breakaway	Yes
Circuits (Loaded)	8
Circuits (maximum)	8
Color - Resin	Black
First Mate / Last Break	No
Flammability	94V-0
Glow-Wire Capable	No
Guide to Mating Part	No
Keying to Mating Part	None
Lock to Mating Part	None
Material - Metal	Copper Alloy
Material - Plating Mating	Gold
Material - Plating Termination	Tin
Material - Resin	Nylon
Net Weight	0.441/g
Number of Rows	1
Orientation	Vertical
PCB Locator	No
PCB Retention	None
Packaging Type	Embossed Tape on Reel
Pitch - Mating Interface	2.54mm
Pitch - Termination Interface	2.54mm
Polarized to Mating Part	No
Polarized to PCB	No
Robotic Placement	Pick and Place Cap
Shrouded	No
Stackable	No
Temperature Range - Operating	-55° to +105°C
Termination Interface: Style	Surface Mount

**Electrical**

Current - Maximum per Contact	3.0A
Voltage - Maximum	250V

**EU ELV**

**Not Relevant**

**EU RoHS**

**Compliant**

**REACH SVHC**

Not Contained Per -  
D(2021)4569-DC (8  
July 2021)

**Halogen-Free**

**Status**

**Low-Halogen**

For more information, please visit [Contact US](#)

China ROHS

ELV

RoHS Phthalates

**China RoHS**

Green Image

Not Relevant

Not Contained

**Search Parts in this Series**

[87898](#) Series

**Mates With**

[4455](#) KK PCB Receptacles, [70430](#) SL IDT Housings, [7720](#) KK IDT Housings, [70400](#) KK IDT Housings, [90147](#) , [90148](#) C-Grid PCB Receptacles

**Solder Process Data**

Duration at Max. Process Temperature (seconds)	040
Lead-free Process Capability	REFLOW
Max. Cycles at Max. Process Temperature	003
Process Temperature max. C	260

**Material Info****Reference - Drawing Numbers**

Application Specification	713080001-AS-000
Packaging Specification	PK-89990-486-001
Product Specification	PS-87920-019-001
Sales Drawing	SD-87898-001-000
Test Summary	879200000-TS-000, 879200001-TS-000

This document was generated on 10/04/2021

**PLEASE CHECK [WWW.MOLEX.COM](http://WWW.MOLEX.COM) FOR LATEST PART INFORMATION**

# Mouser Electronics

Authorized Distributor

Click to View Pricing, Inventory, Delivery & Lifecycle Information:

[Molex:](#)

[87898-0855](#)