

PLEASE CHECK WWW.MOLEX.COM FOR LATEST PART INFORMATION

Part Number: [0878304021](#)
Status: **Active**
Overview: [Milli-Grid Connector System](#)
Description: 2.00mm Pitch Milli-Grid Straddle Mount Header, 40 Circuits, 0.38µm Gold (Au) Selective Plating, Tray Packaging, Lead-Free

Documents:

[3D Model](#) [Application Specification 503940001-AS-000 \(PDF\)](#)
[Drawing \(PDF\)](#) [RoHS Certificate of Compliance \(PDF\)](#)
[3D Model \(PDF\)](#)

General

Product Family	PCB Headers
Series	87830
Application	Board-to-Board, Signal
Overview	Milli-Grid Connector System
Product Name	Milli-Grid
UPC	822348299010

Physical

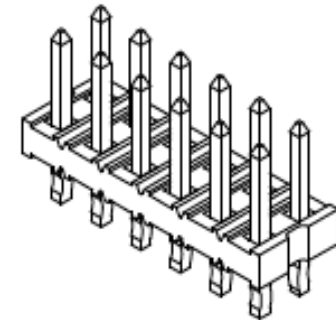
Breakaway	Yes
Circuits (Loaded)	40
Circuits (maximum)	40
First Mate / Last Break	No
Glow-Wire Capable	No
Guide to Mating Part	No
Keying to Mating Part	None
Lock to Mating Part	None
Material - Plating Mating	Gold
Material - Plating Termination	Tin
Net Weight	0.906/g
Number of Rows	2
Orientation	Vertical
PCB Locator	No
PCB Retention	None
PCB Thickness - Recommended	1.00mm
Packaging Type	Tray
Pitch - Mating Interface	2.00mm
Pitch - Termination Interface	2.00mm
Plating min - Mating	0.381µm
Plating min - Termination	1.905µm
Polarized to Mating Part	No
Polarized to PCB	No
Shrouded	No
Stackable	Yes
Temperature Range - Operating	-55° to +105°C
Termination Interface: Style	Straddle Mount

Electrical

Current - Maximum per Contact	2.0A
Voltage - Maximum	125V

Solder Process Data

Duration at Max. Process Temperature (seconds)	014
Lead-freeProcess Capability	REFLOW
Max. Cycles at Max. Process Temperature	001
Process Temperature max. C	265



Series image - Reference only

EU ELV

Not Relevant

EU RoHS

Compliant

REACH SVHC

Not Contained Per -
D(2021)4569-DC (8
July 2021)

Halogen-Free

Status

Not Low-Halogen

For more information, please visit [Contact US](#)

China ROHS

ELV

RoHS Phthalates

China RoHS

Green Image

Not Relevant

Not Contained

Search Parts in this Series

[87830 Series](#)

Mates With

[79107](#) Board-to-Board Top Entry Through Hole Receptacle, [79108](#) Board-to-Board FFC/FPC Top Entry Through Hole Receptacle, [79109](#) Board-to-Board Top/Bottom Entry SMT Receptacle, [87381](#) Board-to-Board Top Entry SMT Receptacle

Material Info

Reference - Drawing Numbers

Application Specification
Sales Drawing

503940001-AS-000
SD-87830-003-001

This document was generated on 01/03/2022

PLEASE CHECK WWW.MOLEX.COM FOR LATEST PART INFORMATION

Mouser Electronics

Authorized Distributor

Click to View Pricing, Inventory, Delivery & Lifecycle Information:

[Molex:](#)

[87830-4021](#)