

PLEASE CHECK WWW.MOLEX.COM FOR LATEST PART INFORMATION

Part Number: [0877615022](#)
Status: **Active**
Overview: [Milli-Grid Connector System](#)
Description: Milli-Grid Header, Dual Row Dual Body, Through Hole, Vertical, 50 Circuits, 0.38µm Gold (Au) Selective Plating, 5.71mm Stacking Height, Tray, Lead-Free

Documents:

3D Model	Packaging Specification PK-87761-001-001 (PDF)
3D Model (PDF)	Packaging Specification PK-89990-487-001 (PDF)
Drawing (PDF)	Test Summary 877610000-TS-000 (PDF)
Product Specification PS-87761-100-001 (PDF)	RoHS Certificate of Compliance (PDF)
Application Specification 503940001-AS-000 (PDF)	

Agency Certification

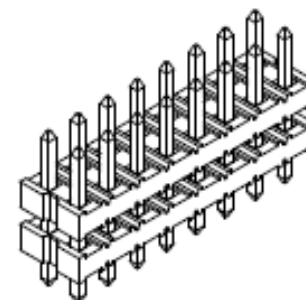
UL E29179

General

Product Family	PCB Headers
Series	87761
Application	Board-to-Board, Signal
Comments	Without Cap, In Tray Packaging
Overview	Milli-Grid Connector System
Product Name	Dual Body, Milli-Grid
UPC	800756747194

Physical

Breakaway	Yes
Circuits (Loaded)	50
Circuits (maximum)	50
Color - Resin	Black
Durability (mating cycles max)	100
First Mate / Last Break	No
Flammability	94V-0
Glow-Wire Capable	No
Guide to Mating Part	No
Keying to Mating Part	None
Lock to Mating Part	None
Mated Height	4.00mm
Material - Metal	Copper Alloy
Material - Plating Mating	Gold
Material - Plating Termination	Tin
Material - Resin	Nylon
Net Weight	2.390/g
Number of Rows	2
Orientation	Vertical
PCB Locator	No
PCB Retention	None
Packaging Type	Tray
Pitch - Mating Interface	2.00mm
Pitch - Termination Interface	2.00mm
Plating min - Mating	0.381µm
Plating min - Termination	1.016µm
Polarized to Mating Part	No
Polarized to PCB	No
Shrouded	No
Stackable	No
Temperature Range - Operating	-55° to +105°C



Series image - Reference only

EU ELV

Not Relevant

EU RoHS

Compliant

REACH SVHC

Not Contained Per -
D(2021)4569-DC (8
July 2021)

Halogen-Free

Status

Not Low-Halogen

For more information, please visit [Contact US](#)

China ROHS

ELV

RoHS Phthalates

China RoHS

Green Image

Not Relevant

Not Contained

Search Parts in this Series

[87761](#) Series

Mates With

[79109](#) Board-to-Board Top/Bottom Entry
SMT Receptacle

Termination Interface: Style Through Hole

Electrical

Current - Maximum per Contact 2.0A
Voltage - Maximum 125V

Solder Process Data

Duration at Max. Process Temperature (seconds) 010
Lead-free Process Capability WAVE
Max. Cycles at Max. Process Temperature 003
Process Temperature max. C 250

Material Info

Reference - Drawing Numbers

Application Specification 503940001-AS-000
Packaging Specification PK-87761-001-001, PK-89990-487-001
Product Specification PS-87761-100-001
Sales Drawing SD-87761-052-001
Test Summary 877610000-TS-000

This document was generated on 01/24/2022

PLEASE CHECK WWW.MOLEX.COM FOR LATEST PART INFORMATION

Mouser Electronics

Authorized Distributor

Click to View Pricing, Inventory, Delivery & Lifecycle Information:

[Molex:](#)

[87761-5022](#)