

**PLEASE CHECK WWW.MOLEX.COM FOR LATEST PART INFORMATION**

**Part Number:** [0859993256](#)  
**Status:** **Active**  
**Overview:** Magnetic and Modular Jacks/Plugs  
**Description:** Blind Plug Dust Cover for 6 Position Modular Jack

**Documents:**

<a href="#">3D Model</a>	<a href="#">Drawing (PDF)</a>
<a href="#">3D Model (PDF)</a>	<a href="#">RoHS Certificate of Compliance (PDF)</a>

**General**

Product Family	Accessories
Series	<a href="#">90075</a>
Component Type	Dust Cover
Overview	<u>Magnetic and Modular Jacks/Plugs</u>
Product Name	RJ11
UPC	800754867412

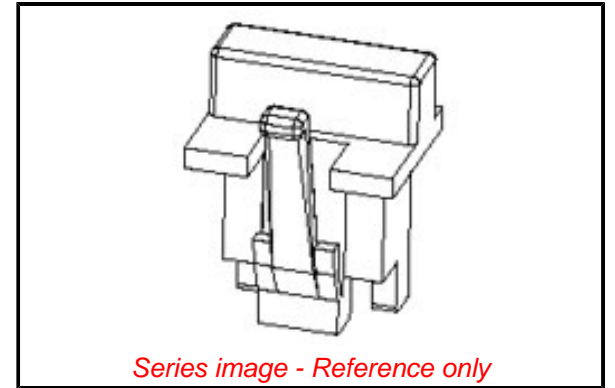
**Physical**

Circuits (Loaded)	6
Circuits (maximum)	6
Color - Resin	Black
Net Weight	1.230/g
Packaging Type	Bag
Temperature Range - Operating	-40° to +80°C

**Material Info**

**Reference - Drawing Numbers**

Sales Drawing	SD-85999-056-001
---------------	------------------



**EU ELV**

**Not Relevant**

**EU RoHS**

**Compliant**

**REACH SVHC**

Not Contained Per -  
D(2021)4569-DC (8  
July 2021)

**Halogen-Free**

**Status**

**Low-Halogen**

For more information, please visit [Contact US](#)

China ROHS

ELV

RoHS Phthalates

**China RoHS**

Green Image

Not Relevant

Not Contained

**Search Parts in this Series**

[90075 Series](#)

**Use With**

6 Position Modular Jacks

# Mouser Electronics

Authorized Distributor

Click to View Pricing, Inventory, Delivery & Lifecycle Information:

[Molex:](#)

[85999-3256](#)