

**PLEASE CHECK WWW.MOLEX.COM FOR LATEST PART INFORMATION**

**Part Number:** [0784552301](#)  
**Status:** **Active**  
**Overview:** Impact Backplane Connector and Cable Assembly System  
**Description:** Impact 6 Pair, Right-Angle Power Header, Integrated Guide Module w/ESD clip, Module 1: Blade A1 & A2; B1 & B2 and C1 & C2 Length 6.90mm; Press-Fit, LCP, Glass Filled UL94-V0, Black, key orientation C

**Documents:**

<a href="#">3D Model</a>	<a href="#">Application Specification AS-76060-9997-001 (PDF)</a>
<a href="#">Drawing (PDF)</a>	<a href="#">Symbol Footprint Data SYM-78455-2301-001 (PDF)</a>
<a href="#">3D Model (PDF)</a>	<a href="#">RoHS Certificate of Compliance (PDF)</a>
<a href="#">Product Specification PS-78213-001-001 (PDF)</a>	

**Agency Certification**

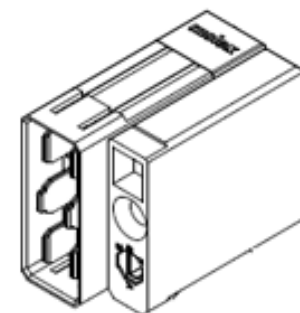
UL E29179

**General**

Product Family	Backplane Connectors
Series	<a href="#">78455</a>
Application	Conventional, Coplanar
Application Tooling Documents	TM-622018799-001
Component Type	Power Header
Overview	<a href="#">Impact Backplane Connector and Cable Assembly System</a>
Product Name	Impact
UPC	884982760431

**Physical**

Circuits (Loaded)	6
Circuits (maximum)	6
Color - Resin	Black
Durability (mating cycles max)	200
First Mate / Last Break	No
Flammability	94V-0
Guide to Mating Part	Yes
Keying to Mating Part	None
Material - Metal	Copper Alloy
Material - Plating Mating	Gold
Material - Plating Termination	Tin
Material - Resin	High Temperature Thermoplastic
Net Weight	16.019/g
Number of Columns	N/A
Number of Pairs	6
Number of Rows	3
Orientation	Right Angle
PC Tail Length	2.50mm
PCB Locator	No
PCB Retention	None
PCB Thickness - Recommended	1.60mm
Packaging Type	Tray
Pitch - Mating Interface	5.20mm
Pitch - Termination Interface	2.00mm, 3.20mm
Plating min - Mating	0.762µm
Plating min - Termination	2.540µm
Polarized to PCB	No
Stackable	No
Surface Mount Compatible (SMC)	No



*Series image - Reference only*

**EU ELV**

**Not Relevant**

**EU RoHS**

**Compliant**

**REACH SVHC**

Not Contained Per -  
D(2021)4569-DC (8  
July 2021)

**Halogen-Free**

**Status**

**Low-Halogen**

For more information, please visit [Contact US](#)

China ROHS

ELV

RoHS Phthalates

**China RoHS**

Green Image

Not Relevant

Not Contained

**Search Parts in this Series**

[78455](#) Series

**Mates With**

[78218](#) Impact Vertical Receptacles

Temperature Range - Operating -55° to +85°C  
Termination Interface: Style Through Hole - Compliant Pin

**Electrical**

Current - Maximum per Contact 20.0A  
Data Rate N/A  
Shield Type N/A  
Shielded No  
Voltage - Maximum 250V

**Solder Process Data**

Lead-freeProcess Capability N/A

**Material Info**

**Reference - Drawing Numbers**

Application Specification AS-76060-9997-001  
Product Specification PS-78213-001-001  
Sales Drawing SD-78455-001-001  
Symbol/Footprint Data SYM-78455-2301-001

This document was generated on 09/27/2021

**PLEASE CHECK [WWW.MOLEX.COM](http://WWW.MOLEX.COM) FOR LATEST PART INFORMATION**

# Mouser Electronics

Authorized Distributor

Click to View Pricing, Inventory, Delivery & Lifecycle Information:

[Molex:](#)

[78455-2301](#)