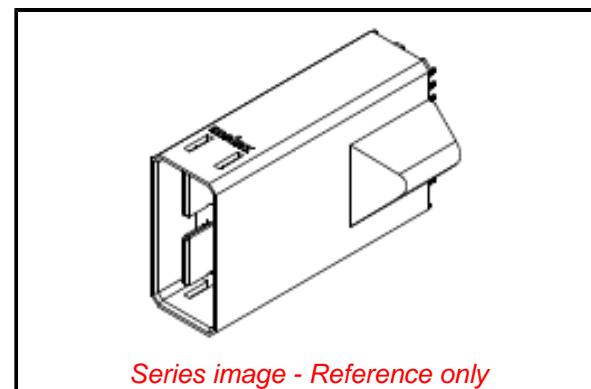


PLEASE CHECK WWW.MOLEX.COM FOR LATEST PART INFORMATION

Part Number: [0784463822](#)
Status: **Active**
Overview: Impact Backplane Connector and Cable Assembly System
Description: Impact 5 Pair, Vertical Power Header, 38.00mm Stack Height, Press-Fit, LCP, Glass Filled, UL94-V0, Black, Tray Packaging, Lead-Free

Documents:

3D Model	Packaging Specification PK-78446-001-001 (PDF)
Drawing (PDF)	Symbol Footprint Data SYM-78446-3822-001 (PDF)
Product Specification PS-78213-001-001 (PDF)	RoHS Certificate of Compliance (PDF)
Application Specification AS-76060-9997-001 (PDF)	



Agency Certification

UL E29179

General

Product Family	Backplane Connectors
Series	78446
Application	Mezzanine
Application Tooling Documents	TM-622018799-001
Component Type	Power Header
Overview	Impact Backplane Connector and Cable Assembly System
Product Name	Impact
UPC	884982415133

Physical

Circuits (Loaded)	4
Circuits (maximum)	4
Color - Resin	Black
Durability (mating cycles max)	200
First Mate / Last Break	No
Flammability	94V-0
Guide to Mating Part	No
Keying to Mating Part	None
Material - Metal	Copper Alloy
Material - Plating Mating	Gold
Material - Plating Termination	Tin
Material - Resin	High Temperature Thermoplastic
Net Weight	14.590/g
Number of Columns	N/A
Number of Pairs	5
Number of Rows	2
Orientation	Vertical
PC Tail Length	2.50mm
PCB Locator	Yes
PCB Retention	None
PCB Thickness - Recommended	1.60mm
Packaging Type	Tray
Pitch - Mating Interface	5.20mm
Pitch - Termination Interface	2.00mm, 3.20mm
Plating min - Mating	0.762µm
Plating min - Termination	2.540µm
Polarized to PCB	No
Stackable	No
Surface Mount Compatible (SMC)	No
Temperature Range - Operating	-55° to +85°C

EU ELV

Not Relevant

EU RoHS

Compliant

REACH SVHC

Not Contained Per -
D(2021)4569-DC (8
July 2021)

Halogen-Free

Status

Low-Halogen

For more information, please visit [Contact US](#)

China ROHS

ELV

RoHS Phthalates

China RoHS

Green Image

Not Relevant

Not Contained

Search Parts in this Series

[78446 Series](#)

Mates With

[78216 Impact Vertical Receptacles](#)

Termination Interface: Style Through Hole - Compliant Pin

Electrical

Current - Maximum per Contact	25.0A
Data Rate	N/A
Shield Type	N/A
Shielded	No
Voltage - Maximum	250V

Solder Process Data

Lead-free Process Capability	N/A
------------------------------	-----

Material Info

Reference - Drawing Numbers

Application Specification	AS-76060-9997-001
Packaging Specification	PK-78446-001-001
Product Specification	PS-78213-001-001
Sales Drawing	SD-78446-001-001
Symbol/Footprint Data	SYM-78446-3822-001

This document was generated on 09/22/2021

PLEASE CHECK WWW.MOLEX.COM FOR LATEST PART INFORMATION

Mouser Electronics

Authorized Distributor

Click to View Pricing, Inventory, Delivery & Lifecycle Information:

[Molex:](#)

[78446-3822](#)