

**PLEASE CHECK WWW.MOLEX.COM FOR LATEST PART INFORMATION**

**Part Number:** [0767618561](#)  
**Status:** **Active**  
**Overview:** [VHDM H-Series Backplane Connectors](#)  
**Description:** VHDM H-Series Single-Ended Board-to-Board Backplane Header, 2.00mm Pitch, Vertical, 6 Rows, Guide Pin, Signal End Module, Open End Version, 150 Circuits, Pin Length 4.75mm, Key Orientation F

**Documents:**

[Drawing \(PDF\)](#) [RoHS Certificate of Compliance \(PDF\)](#)  
[Packaging Specification PK-74058-003 \(PDF\)](#)

**General**

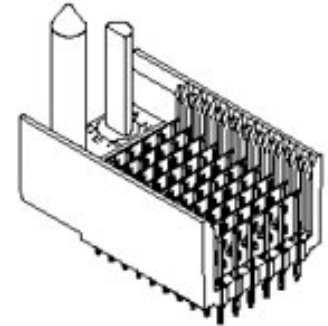
Product Family	Backplane Connectors
Series	<a href="#">76761</a>
Application	Backplane
Application Tooling Documents	TM-622010999
Comments	Position F, Position F
Component Type	PCB Header
Overview	<a href="#">VHDM H-Series Backplane Connectors</a>
Product Name	VHDM H-Series
UPC	884982398177

**Physical**

Circuits (Loaded)	150
Circuits (maximum)	150
Color - Resin	Black
Durability (mating cycles max)	200
First Mate / Last Break	No
Guide to Mating Part	Yes
Keying to Mating Part	Yes
Material - Metal	Copper Alloy
Material - Plating Mating	Gold
Material - Plating Termination	Matte Tin
Material - Resin	High Temperature Thermoplastic
Net Weight	16.366/g
Number of Columns	25
Number of Pairs	Open Pin Field
Number of Rows	6
Orientation	Vertical
PC Tail Length	1.83mm
PCB Locator	No
PCB Retention	None
PCB Thickness - Recommended	1.80mm
Packaging Type	Tube
Pitch - Mating Interface	2.00mm
Pitch - Termination Interface	1.00mm
Polarized to PCB	Yes
Stackable	No
Surface Mount Compatible (SMC)	Yes
Temperature Range - Operating	-55° to +105°C
Termination Interface: Style	Through Hole - Compliant Pin

**Electrical**

Current - Maximum per Contact	1.0A
Data Rate	6.25 Gbps
Real Signals (per 25mm)	75
Shield Type	Ground Plane Shield



Series image - Reference only

**EU ELV**

**Not Relevant**

**EU RoHS**

**Compliant**

**REACH SVHC**

Not Contained Per - ED/71/2019 (16 July 2019)

**Halogen-Free**

**Status**

**Low-Halogen**

For more information, please visit [Contact US](#)

China ROHS

ELV

RoHS Phthalates

**China RoHS**

Green Image

Not Relevant

Not Contained

**Search Parts in this Series**

[76761 Series](#)

**Application Tooling | FAQ**

*Tooling specifications and manuals are found by selecting the products below. Crimp Height Specifications are then contained in the Application Tooling Specification document.*

**Global**

Description	Product #
Signal Pin Inserter Repair Tool	<a href="#">622015700</a>
6-Row Pin and Shield Repair Tool	<a href="#">622015800</a>
6-Row Shield Extraction Tool	<a href="#">622016000</a>
Insertion Module for Standard Shield Signal Header, 6-Row by 25-Wide, 50.00mm	<a href="#">622020208</a>

Shielded	Yes
Voltage - Maximum	120V AC (RMS)/DC

**Solder Process Data**

Lead-free Process Capability	N/A
------------------------------	-----

**Material Info**

**Reference - Drawing Numbers**

Packaging Specification	PK-74058-003
Sales Drawing	SD-76761-001

This document was generated on 12/17/2019

**PLEASE CHECK [WWW.MOLEX.COM](http://WWW.MOLEX.COM) FOR LATEST PART INFORMATION**

# Mouser Electronics

Authorized Distributor

Click to View Pricing, Inventory, Delivery & Lifecycle Information:

[Molex:](#)

[76761-8561](#)