

PLEASE CHECK WWW.MOLEX.COM FOR LATEST PART INFORMATION

Part Number: [0765461129](#)
Status: **Active**
Overview: EXTreme Ten60Power High-Current Connector
Description: 2.50mm, 7.50mm Pitch EXTreme Ten60Power Vertical Plug Assembly, 2 Power Circuits

Documents:

[3D Model](#) [Application Specification AS-46436-100-001 \(PDF\)](#)
[Drawing \(PDF\)](#) [RoHS Certificate of Compliance \(PDF\)](#)
[Product Specification PS-46436-100-001 \(PDF\)](#)

Agency Certification

CSA LR19980
 UL E29179

General

Product Family PCB Headers
 Series [76546](#)
 Application Board-to-Board
 Overview [EXTreme Ten60Power High-Current Connector](#)
 Product Name EXTreme Ten60Power
 UPC 884982271463

Physical

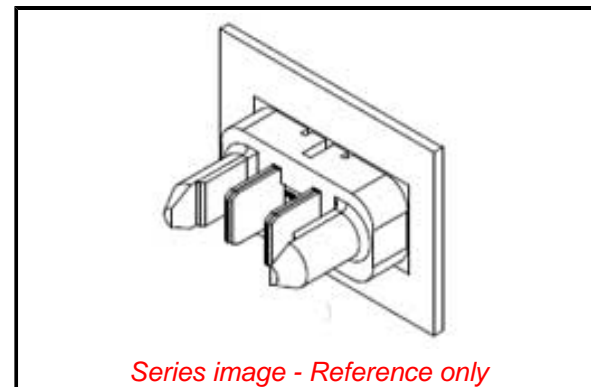
(p)ower-(s)ignal Configuration 2p - 0s
 Breakaway No
 Circuits (Loaded) 2
 Circuits (maximum) 2
 Color - Resin Black
 Durability (mating cycles max) 200
 First Mate / Last Break No
 Flammability 94V-0
 Glow-Wire Capable No
 Guide to Mating Part Yes
 Keying to Mating Part Yes
 Lock to Mating Part Yes
 Material - Metal Copper Alloy
 Material - Plating Mating Gold
 Material - Resin High Temperature Thermoplastic
 Net Weight 3.497/g
 Number of Rows 1
 Orientation Vertical
 PC Tail Length 3.10mm
 PCB Locator No
 PCB Retention None
 PCB Thickness - Recommended 1.58mm
 Packaging Type Tray
 Pitch - Mating Interface 2.50mm, 7.50mm
 Polarized to Mating Part Yes
 Polarized to PCB Yes
 Termination Interface: Style Solder or Weld, Through Hole

Electrical

Current - Maximum per Contact 2.5A, 60.0A

Solder Process Data

Duration at Max. Process Temperature (seconds) 040
 Lead-freeProcess Capability SMC&WAVE



Series image - Reference only

EU ELV

Not Relevant

EU RoHS

Compliant
REACH SVHC

Not Contained Per -
 D(2021)4569-DC (8
 July 2021)

Halogen-Free
Status

Not Low-Halogen

For more information, please visit [Contact US](#)

China ROHS

ELV

RoHS Phthalates

China RoHS

Green Image

Not Relevant

Not Contained

Search Parts in this Series

[76546](#) Series

Mates With

[465621129](#) EXTreme Ten60Power Vertical Receptacle

Max. Cycles at Max. Process Temperature	003
Process Temperature max. C	260

Material Info

Reference - Drawing Numbers

Application Specification	AS-46436-100-001
Product Specification	PS-46436-100-001
Sales Drawing	SD-76546-1129-001

This document was generated on 09/27/2021

PLEASE CHECK WWW.MOLEX.COM FOR LATEST PART INFORMATION

Mouser Electronics

Authorized Distributor

Click to View Pricing, Inventory, Delivery & Lifecycle Information:

[Molex:](#)

[76546-1129](#)