

PLEASE CHECK WWW.MOLEX.COM FOR LATEST PART INFORMATION

Part Number: [0764101827](#)
Status: **Active**
Overview: [Impact Backplane Connector and Cable Assembly System](#)
Description: Impact 100 Ohm 3 Pair Right-Angle Male Header, Unguided, Dual Endwall, 8 Columns, 72 Circuits, Pin Length 4.90mm, Plated Through Hole Dimension 0.39mm, Lead-Free

Documents:

| | |
|--|---|
| 3D Model | Application Specification AS-76060-9999-001 (PDF) |
| Drawing (PDF) | Packaging Specification PK-70873-762-001 (PDF) |
| 3D Model (PDF) | Symbol Footprint Data SYM-76410-1827-001 (PDF) |
| Product Specification PS-76060-999-001 (PDF) | RoHS Certificate of Compliance (PDF) |
| Application Specification AS-76060-990-001 (PDF) | |

Agency Certification

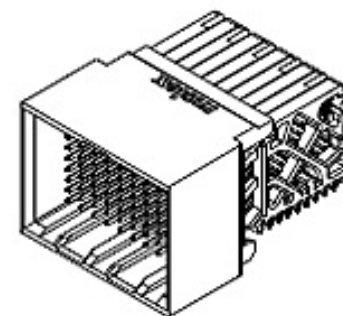
UL E29179

General

| | |
|-------------------------------|--|
| Product Family | Backplane Connectors |
| Series | 76410 |
| Application | Coplanar |
| Application Tooling Documents | TM-622018799-001 |
| Component Type | PCB Header |
| Overview | Impact Backplane Connector and Cable Assembly System |
| Product Name | Impact |
| UPC | 884982869608 |

Physical

| | |
|--------------------------------|--------------------------------|
| Circuits (Loaded) | 72 |
| Circuits (maximum) | 72 |
| Color - Resin | Black |
| Durability (mating cycles max) | 200 |
| First Mate / Last Break | No |
| Flammability | 94V-0 |
| Guide to Mating Part | No |
| Keying to Mating Part | None |
| Material - Metal | High Performance Alloy (HPA) |
| Material - Plating Mating | Gold |
| Material - Plating Termination | Tin |
| Material - Resin | High Temperature Thermoplastic |
| Net Weight | 6.890/g |
| Number of Columns | 8 |
| Number of Pairs | 3 |
| Number of Rows | 9 |
| Orientation | Right Angle |
| PC Tail Length | 1.20mm |
| PCB Locator | No |
| PCB Retention | None |
| PCB Thickness - Recommended | 1.00mm |
| Packaging Type | Tray |
| Pitch - Mating Interface | 1.90mm |
| Pitch - Termination Interface | 1.90mm |
| Plating min - Mating | 0.762µm |
| Polarized to PCB | No |
| Stackable | No |
| Temperature Range - Operating | -55° to +85°C |
| Termination Interface: Style | Through Hole - Compliant Pin |



Series image - Reference only

EU ELV

Not Relevant

EU RoHS

Compliant

REACH SVHC

Not Contained Per -
D(2021)4569-DC (8
July 2021)

Halogen-Free

Status

Low-Halogen

For more information, please visit [Contact US](#)

China ROHS

ELV

RoHS Phthalates

China RoHS

Green Image

Not Relevant

Not Contained

Search Parts in this Series

[76410 Series](#)

Mates With

[76170 Impact 100 Ohm 3 Pair Right Angle Daughtercard](#)

Electrical

| | |
|-------------------------------|-----------------|
| Current - Maximum per Contact | 0.75A |
| Data Rate | 25.0 Gbps |
| Impedance | 100Ω |
| Shield Type | N/A |
| Shielded | No |
| Voltage - Maximum | 30V AC (RMS)/DC |

Solder Process Data

| | |
|-----------------------------|-----|
| Lead-freeProcess Capability | N/A |
|-----------------------------|-----|

Material Info**Reference - Drawing Numbers**

| | |
|---------------------------|-------------------------------------|
| Application Specification | AS-76060-990-001, AS-76060-9999-001 |
| Electrical Model Document | EE-76410-002-002 |
| Packaging Specification | PK-70873-762-001 |
| Product Specification | PS-76060-999-001 |
| S-Parameter Model | SP-76410-002-002 |
| Sales Drawing | SD-76410-001-001 |
| Symbol/Footprint Data | SYM-76410-1827-001 |

This document was generated on 10/05/2021

PLEASE CHECK WWW.MOLEX.COM FOR LATEST PART INFORMATION

Mouser Electronics

Authorized Distributor

Click to View Pricing, Inventory, Delivery & Lifecycle Information:

[Molex:](#)

[76410-1827](#)