

PLEASE CHECK WWW.MOLEX.COM FOR LATEST PART INFORMATION

Part Number: [0764101627](#)
Status: **Active**
Overview: [Impact Backplane Connector and Cable Assembly System](#)
Description: Impact 100 Ohm 3 Pair Right-Angle Male Header, Unguided, Dual Endwall, 16 Columns, 144 Circuits, Pin Length 4.90mm, Plated Through Hole Dimension 0.39mm, Lead-Free

Documents:

3D Model	Application Specification AS-76060-9999-001 (PDF)
3D Model (PDF)	Packaging Specification PK-70873-762-001 (PDF)
Drawing (PDF)	Symbol Footprint Data SYM-76410-1627-001 (PDF)
Product Specification PS-76060-999-001 (PDF)	RoHS Certificate of Compliance (PDF)
Application Specification AS-76060-990-001 (PDF)	

Agency Certification

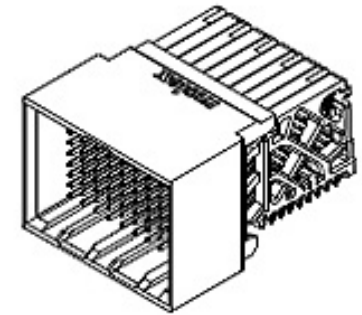
UL E29179

General

Product Family	Backplane Connectors
Series	76410
Application	Coplanar
Application Tooling Documents	TM-622018799-001
Component Type	PCB Header
Overview	Impact Backplane Connector and Cable Assembly System
Product Name	Impact
UPC	884982802421

Physical

Circuits (Loaded)	144
Circuits (maximum)	144
Color - Resin	Black
Durability (mating cycles max)	200
First Mate / Last Break	No
Flammability	94V-0
Guide to Mating Part	No
Keying to Mating Part	None
Material - Metal	High Performance Alloy (HPA)
Material - Plating Mating	Gold
Material - Plating Termination	Tin
Material - Resin	High Temperature Thermoplastic
Net Weight	12.520/g
Number of Columns	16
Number of Pairs	3
Number of Rows	9
Orientation	Right Angle
PC Tail Length	1.20mm
PCB Locator	No
PCB Retention	None
PCB Thickness - Recommended	1.00mm
Packaging Type	Tray
Pitch - Mating Interface	1.90mm
Pitch - Termination Interface	1.90mm
Plating min - Mating	0.762µm
Polarized to PCB	No
Stackable	No
Temperature Range - Operating	-55° to +85°C



Series image - Reference only

EU ELV

Not Relevant

EU RoHS

Compliant

REACH SVHC

Not Contained Per -
D(2021)4569-DC (8
July 2021)

Halogen-Free

Status

Low-Halogen

For more information, please visit [Contact US](#)

China ROHS

ELV

RoHS Phthalates

China RoHS

Green Image

Not Relevant

Not Contained

Search Parts in this Series

[76410 Series](#)

Mates With

[76170 Impact 100 Ohm 3 Pair Right Angle Daughtercard](#)

Termination Interface: Style Through Hole - Compliant Pin

Electrical

Current - Maximum per Contact 0.75A
Data Rate 25.0 Gbps
Impedance 100Ω
Shield Type N/A
Shielded No
Voltage - Maximum 30V AC (RMS)/DC

Solder Process Data

Lead-freeProcess Capability N/A

Material Info

Reference - Drawing Numbers

Application Specification AS-76060-990-001, AS-76060-9999-001
Electrical Model Document EE-76410-002-002
Packaging Specification PK-70873-762-001
Product Specification PS-76060-999-001
S-Parameter Model SP-76410-002-002
Sales Drawing SD-76410-001-001
Symbol/Footprint Data SYM-76410-1627-001

This document was generated on 12/21/2021

PLEASE CHECK WWW.MOLEX.COM FOR LATEST PART INFORMATION

Mouser Electronics

Authorized Distributor

Click to View Pricing, Inventory, Delivery & Lifecycle Information:

[Molex:](#)

[76410-1627](#)