

**PLEASE CHECK WWW.MOLEX.COM FOR LATEST PART INFORMATION**

**Part Number:** **0759109123**  
**Status:** **Active**  
**Overview:** GbX I-Trac Backplane Connector System  
**Description:** GbX I-Trac Right-Angle Header Module, 1.85mm by 3.70mm Pitch, Right Guided Coplanar, Left Endwall, 11 Rows, 10 Columns, 220 Circuits, Mating Pin Length 4.70mm

**Documents:**

[3D Model](#) [Packaging Specification PK-70873-585 \(PDF\)](#)  
[Drawing \(PDF\)](#) [RoHS Certificate of Compliance \(PDF\)](#)  
[Product Specification PS-75710-999-001 \(PDF\)](#)

**Agency Certification**

UL E29179

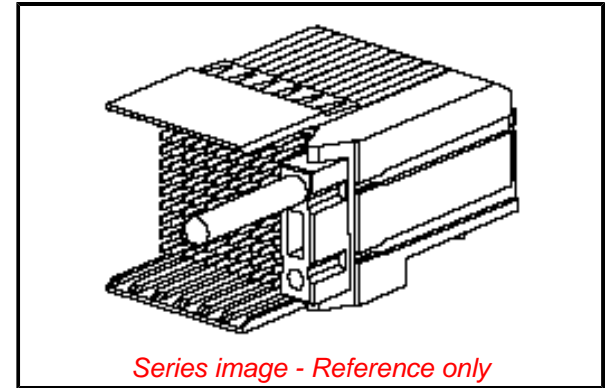
**General**

Product Family Backplane Connectors  
Series [75910](#)  
Application Coplanar, Daughtercard  
Component Type Right Angle Male  
Overview [GbX I-Trac Backplane Connector System](#)  
Product Name GbX I-Trac  
UPC 800756679723

**Physical**

Circuits (Loaded) 220  
Circuits (maximum) 220  
Color - Resin Black  
Durability (mating cycles max) 200  
First Mate / Last Break No  
Flammability 94V-0  
Guide to Mating Part Yes  
Keying to Mating Part None  
Material - Metal High Performance Alloy (HPA)  
Material - Plating Mating Gold  
Material - Plating Termination Tin  
Material - Resin High Temperature Thermoplastic  
Net Weight 38.151/g  
Number of Columns 10  
Number of Pairs 6, Open Pin Field  
Number of Rows 11  
Orientation Right Angle  
PC Tail Length 2.00mm  
PCB Locator Yes  
PCB Retention Yes  
PCB Thickness - Recommended 1.60mm  
Packaging Type Tray  
Pitch - Mating Interface 1.85mm, 3.70mm  
Pitch - Termination Interface 1.00mm, 2.70mm  
Plating min - Mating 0.762µm  
Plating min - Termination 0.762µm  
Polarized to PCB Yes  
Stackable No  
Surface Mount Compatible (SMC) Yes  
Temperature Range - Operating -55° to +80°C  
Termination Interface: Style Through Hole - Compliant Pin

**Electrical**



**EU ELV**

**Not Relevant**

**EU RoHS**

**Compliant**

**REACH SVHC**

Not Contained Per -  
ED/71/2019 (16 July  
2019)

**Halogen-Free**

**Status**

**Low-Halogen**

For more information, please visit [Contact US](#)

China ROHS

ELV

RoHS Phthalates

**China RoHS**

Green Image

Not Relevant

Not Contained

**Search Parts in this Series**

[75910 Series](#)

**Mates With**

[75710 GbX I-Trac Right Angle Receptacle Module](#)

**Use With**

[78235 GbX I-Trac Right-Angle Power Receptacle](#)

**Application Tooling | FAQ**

*Tooling specifications and manuals are found by selecting the products below. Crimp Height Specifications are then contained in the Application Tooling Specification document.*

**Global**

**Description**

**Product #**

Press-In Tool  
for Right-Angle  
Receptacle and  
Header 11-Row, 10-  
Column

[622018606](#)

Current - Maximum per Contact	1.0A
Data Rate	12.0 Gbps
Shield Type	N/A
Shielded	No
Voltage - Maximum	120V AC (RMS)/DC

Right-Angle Male (RAM) Module Removal Tool	<u>622023080</u>
--	------------------

**Solder Process Data**

Lead-free Process Capability	N/A
------------------------------	-----

**Material Info****Reference - Drawing Numbers**

Packaging Specification	PK-70873-585
Product Specification	PS-75710-999-001
Sales Drawing	SD-75910-003

This document was generated on 12/30/2019

**PLEASE CHECK [WWW.MOLEX.COM](http://WWW.MOLEX.COM) FOR LATEST PART INFORMATION**

# Mouser Electronics

Authorized Distributor

Click to View Pricing, Inventory, Delivery & Lifecycle Information:

[Molex:](#)

[75910-9123](#)