

PLEASE CHECK WWW.MOLEX.COM FOR LATEST PART INFORMATION

Part Number: [0755860001](#)
Status: **Active**
Overview: [iPass Connector System](#)
Description: 0.80mm Pitch, iPass I/O Surface Mount Receptacle, Right-Angle, External Application, 50 Circuit, 0.38µm Gold (Au)

Documents:

| | |
|--|--|
| 3D Model | Application Specification AS-75586-001-001 (PDF) |
| Drawing (PDF) | Packaging Specification PK-75586-002-001 (PDF) |
| 3D Model (PDF) | Packaging Specification PK-75586-101-001 (PDF) |
| Product Specification PS-75586-001-001 (PDF) | RoHS Certificate of Compliance (PDF) |
| Application Specification AS-170432-0003-001 (PDF) | |

Agency Certification

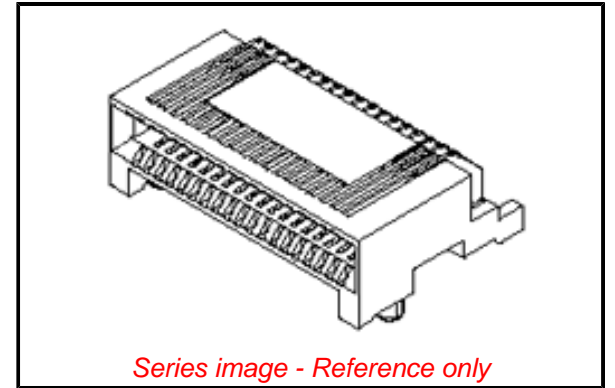
| | |
|-----|---------|
| CSA | LR19980 |
| UL | E29179 |

General

| | |
|------------------|--|
| Product Family | I/O Connectors |
| Series | 75586 |
| Application | Wire-to-Board |
| Component Type | Receptacle |
| Electrical Model | Yes |
| Overview | iPass Connector System |
| Product Name | iPass, Mini Multi-Lane, PCI Express |
| Type | N/A |
| UPC | 822348851942 |

Physical

| | |
|--------------------------------|--------------------------------|
| Boot Color | N/A |
| Circuits (Loaded) | 50 |
| Circuits (maximum) | 50 |
| Color - Resin | Black |
| Durability (mating cycles max) | 50 |
| Flammability | 94V-0 |
| Gender | Female |
| Keying to Mating Part | None |
| Lock to Mating Part | None |
| Material - Metal | High Performance Alloy (HPA) |
| Material - Plating Mating | Gold |
| Material - Plating Termination | Tin |
| Material - Resin | High Temperature Thermoplastic |
| Net Weight | 1.232/g |
| Number of Rows | 2 |
| Orientation | Right Angle |
| PCB Locator | Yes |
| PCB Retention | None |
| PCB Thickness - Recommended | 1.35mm |
| Packaging Type | Embossed Tape on Reel |
| Panel Mount | No |
| Pitch - Mating Interface | 0.80mm |
| Pitch - Termination Interface | 0.80mm |
| Plating min - Mating | 0.381µm |
| Plating min - Termination | 2.540µm |
| Polarized to Mating Part | Yes |
| Polarized to PCB | Yes |
| Ports | 1 |



EU ELV

Not Relevant

EU RoHS

Compliant

REACH SVHC

Not Contained Per -
D(2021)4569-DC (8
July 2021)

Halogen-Free

Status

Low-Halogen

For more information, please visit [Contact US](#)

China ROHS

ELV

RoHS Phthalates

China RoHS

Green Image

Not Relevant

Not Contained

Search Parts in this Series

[75586](#) Series

Mates With

[74547](#) iPass Cable Assembly

Use With

[74548](#) I/O Connectors

| | |
|--------------------------------|---------------|
| Surface Mount Compatible (SMC) | Yes |
| Temperature Range - Operating | -40° to +80°C |
| Termination Interface: Style | Surface Mount |
| Waterproof / Dustproof | No |
| Wire Insulation Diameter | N/A |
| Wire Size AWG | N/A |

Electrical

| | |
|-------------------------------|-----------------|
| Current - Maximum per Contact | 0.5A |
| Grounding to Panel | N/A |
| Shielded | No |
| Voltage - Maximum | 30V AC (RMS)/DC |

Solder Process Data

| | |
|--|--------|
| Duration at Max. Process Temperature (seconds) | 020 |
| Lead-free Process Capability | REFLOW |
| Max. Cycles at Max. Process Temperature | 001 |
| Process Temperature max. C | 260 |

Material Info**Reference - Drawing Numbers**

| | |
|---------------------------|--------------------------------------|
| Application Specification | AS-170432-0003-001, AS-75586-001-001 |
| Electrical Model Document | EE-75586-001-001 |
| Packaging Specification | PK-75586-002-001, PK-75586-101-001 |
| Product Specification | PS-75586-001-001 |
| S-Parameter Model | SP-75586-001-001 |
| Sales Drawing | SD-75586-001-001 |

This document was generated on 01/05/2022

PLEASE CHECK WWW.MOLEX.COM FOR LATEST PART INFORMATION

Mouser Electronics

Authorized Distributor

Click to View Pricing, Inventory, Delivery & Lifecycle Information:

[Molex:](#)

[75586-0001](#)