

**PLEASE CHECK WWW.MOLEX.COM FOR LATEST PART INFORMATION**

**Part Number:** [0747501571](#)  
**Status:** **Active**  
**Overview:** zQSFP+ and QSFP+ Integrated Product Solutions  
**Description:** QSFP+ Cage Assembly with SAN Heat Sink with Round EMI Gasket, Quad Light Pipe, 2 Rear Legs, Press-Fit Pins

**Documents:**

<a href="#">3D Model</a>	<a href="#">Product Specification 747500002-PS (PDF)</a>
<a href="#">3D Model (PDF)</a>	<a href="#">Packaging Specification PK-74750-1571-001 (PDF)</a>
<a href="#">Drawing (PDF)</a>	<a href="#">RoHS Certificate of Compliance (PDF)</a>

**General**

Product Family	EMI Cages
Series	<a href="#">74750</a>
Application	Module-to-Board
Component Type	Cage Assembly
Overview	<a href="#">zQSFP+ and QSFP+ Integrated Product Solutions</a>
Product Name	QSFP Plus, QSFP+
UPC	884982755833

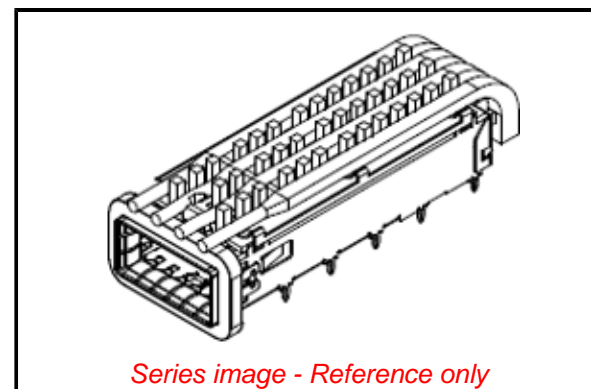
**Physical**

EMI Panel / Bezel Mount	Elastomer Gasket
Light Pipes per Port	4
Material - Metal	Copper Alloy
Net Weight	12.600/g
Orientation	Horizontal
Packaging Type	Tray
Port Configuration	1x1
Rear Legs	2
Termination Interface: Style	Through Hole - Compliant Pin
Thermal Height	SAN
Thermal Solutions	Pin Field

**Material Info**

**Reference - Drawing Numbers**

Packaging Specification	PK-74750-1571-001
Product Specification	747500002-PS
Sales Drawing	747500002-ASY



**EU ELV**

**Not Relevant**

**EU RoHS**

**Compliant**

**REACH SVHC**

Not Contained Per -  
D(2021)4569-DC (8  
July 2021)

**Halogen-Free**

**Status**

**Low-Halogen**

For more information, please visit [Contact US](#)

China ROHS

ELV

RoHS Phthalates

**China RoHS**

Green Image

Not Relevant

Not Contained

**Search Parts in this Series**

[74750 Series](#)

**Use With**

[74750 QSFP+ Cage Assembly](#)

# Mouser Electronics

Authorized Distributor

Click to View Pricing, Inventory, Delivery & Lifecycle Information:

[Molex:](#)

[74750-1571](#)