

PLEASE CHECK WWW.MOLEX.COM FOR LATEST PART INFORMATION

Part Number: [0740581102](#)
Status: **Active**
Description: VHDM 6 ROW ADV MATE SIGNAL END BP

Documents:

Drawing (PDF)	Packaging Specification PK-74058-003 (PDF)
Product Specification PS-74031-999 (PDF)	RoHS Certificate of Compliance (PDF)

Agency Certification

UL	E29179
----	--------

General

Product Family	Backplane Connectors
Series	74058
UPC	800756564524

Physical

Flammability	94V-0
Net Weight	7.332/g

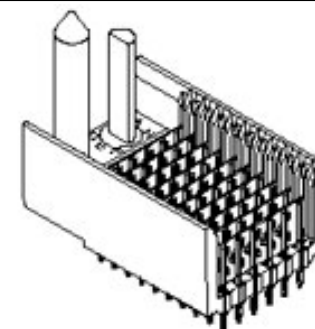
Solder Process Data

Lead-freeProcess Capability	N/A
-----------------------------	-----

Material Info

Reference - Drawing Numbers

Packaging Specification	PK-74058-003
Product Specification	PS-74031-999
Sales Drawing	SD-74058-003



Series image - Reference only

EU ELV

Not Relevant

EU RoHS

Compliant

REACH SVHC

Not Contained Per -
ED/21/2016 (20 June
2016)

Halogen-Free

Status

Low-Halogen

**Need more information on product
environmental compliance?**

Email productcompliance@molex.com
Please visit the [Contact Us](#) section for any
non-product compliance questions.

China ROHS
ELV

Green Image
Not Relevant

Search Parts in this Series

[74058](#) Series

Application Tooling | [FAQ](#)

*Tooling specifications and manuals are
found by selecting the products below.
Crimp Height Specifications are then
contained in the Application Tooling
Specification document.*

Global

Description	Product #
Insertion Module for Advanced Mate Signal Header, 6- Row by 10-Wide, 20.00mm	0622020203
Insertion Module for Advanced Mate Signal Header, 6- Row by 10-Wide, 20.00mm	0622020207

Insertion Module 0622011101
for Advanced Mate
Signal Header, 6-
Row by 11-Wide,
20.00mm

This document was generated on 09/27/2016

PLEASE CHECK WWW.MOLEX.COM FOR LATEST PART INFORMATION

Mouser Electronics

Authorized Distributor

Click to View Pricing, Inventory, Delivery & Lifecycle Information:

[Molex:](#)

[74058-1102](#)