

PLEASE CHECK WWW.MOLEX.COM FOR LATEST PART INFORMATION

Part Number: [0740581054](#)
Status: **Active**
Description: VHDM BP 6 ROW SIG END ASSY 10 COL

Documents:

Drawing (PDF)	Packaging Specification PK-74058-003 (PDF)
Product Specification PS-74031-999 (PDF)	RoHS Certificate of Compliance (PDF)

Agency Certification

UL E29179

General

Product Family	Backplane Connectors
Series	74058
UPC	800753260368

Physical

Flammability	94V-0
Net Weight	7.950/g

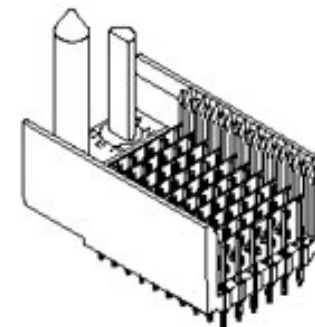
Solder Process Data

Lead-free Process Capability	N/A
------------------------------	-----

Material Info

Reference - Drawing Numbers

Packaging Specification	PK-74058-003
Product Specification	PS-74031-999
Sales Drawing	SD-74058-002



Series image - Reference only

EU ELV

Not Relevant

EU RoHS

Compliant

REACH SVHC

Not Contained Per -
ED/21/2016 (20 June
2016)

Halogen-Free

Status

Low-Halogen

**Need more information on product
environmental compliance?**

Email productcompliance@molex.com
Please visit the [Contact Us](#) section for any
non-product compliance questions.

China ROHS
ELV

Green Image
Not Relevant

Search Parts in this Series

[74058](#) Series

Application Tooling | [FAQ](#)

*Tooling specifications and manuals are
found by selecting the products below.
Crimp Height Specifications are then
contained in the Application Tooling
Specification document.*

Global

Description	Product #
6-Row Pin and Shield Repair Tool	0622015800
Insertion Module for Advanced Mate Signal Header, 6- Row by 10-Wide, 20.00mm	0622020203
Insertion Module for Advanced Mate Signal Header, 6-	0622020207

Row by 10-Wide, 20.00mm	
Signal Pin Inserter Repair Tool	<u>0622015700</u>
6-Row Shield Extraction Tool	<u>0622016000</u>
Insertion Module for Advanced Mate Signal Header, 6- Row by 11-Wide, 20.00mm	<u>0622011101</u>

This document was generated on 09/27/2016

PLEASE CHECK WWW.MOLEX.COM FOR LATEST PART INFORMATION

Mouser Electronics

Authorized Distributor

Click to View Pricing, Inventory, Delivery & Lifecycle Information:

[Molex:](#)

[74058-1054](#)