

**PLEASE CHECK WWW.MOLEX.COM FOR LATEST PART INFORMATION**

**Part Number:** [0740581034](#)  
**Status:** **Active**  
**Description:** VHDM BP 6 ROW SIG END ASSY 10 COL

**Documents:**

<a href="#">Drawing (PDF)</a>	<a href="#">Packaging Specification PK-74058-003 (PDF)</a>
<a href="#">Product Specification PS-74031-999 (PDF)</a>	<a href="#">RoHS Certificate of Compliance (PDF)</a>

**Agency Certification**

UL	E29179
----	--------

**General**

Product Family	Backplane Connectors
Series	<a href="#">74058</a>
UPC	800753260177

**Physical**

Flammability	94V-0
Net Weight	7.950/g

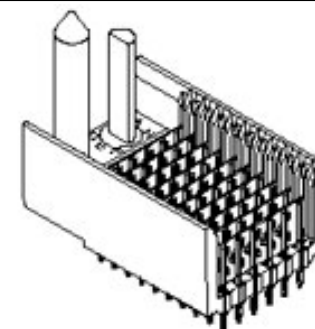
**Solder Process Data**

Lead-freeProcess Capability	N/A
-----------------------------	-----

**Material Info**

**Reference - Drawing Numbers**

Packaging Specification	PK-74058-003
Product Specification	PS-74031-999
Sales Drawing	SD-74058-002



Series image - Reference only

**EU ELV**

**Not Relevant**

**EU RoHS**

**Compliant**

**REACH SVHC**

Not Contained Per -  
ED/21/2016 (20 June  
2016)

**Halogen-Free**

**Status**

**Low-Halogen**

**Need more information on product  
environmental compliance?**

Email [productcompliance@molex.com](mailto:productcompliance@molex.com)  
Please visit the [Contact Us](#) section for any  
non-product compliance questions.

China ROHS  
ELV

Green Image  
Not Relevant

**Search Parts in this Series**

[74058](#) Series

**Application Tooling | [FAQ](#)**

*Tooling specifications and manuals are  
found by selecting the products below.  
Crimp Height Specifications are then  
contained in the Application Tooling  
Specification document.*

**Global**

Description	Product #
6-Row Pin and Shield Repair Tool	<a href="#">0622015800</a>
Insertion Module for Advanced Mate Signal Header, 6- Row by 10-Wide, 20.00mm	<a href="#">0622020203</a>
Insertion Module for Advanced Mate Signal Header, 6-	<a href="#">0622020207</a>

Row by 10-Wide, 20.00mm	
Signal Pin Inserter Repair Tool	<u>0622015700</u>
6-Row Shield Extraction Tool	<u>0622016000</u>
Insertion Module for Advanced Mate Signal Header, 6- Row by 11-Wide, 20.00mm	<u>0622011101</u>

This document was generated on 09/27/2016

**PLEASE CHECK [WWW.MOLEX.COM](http://WWW.MOLEX.COM) FOR LATEST PART INFORMATION**

# Mouser Electronics

Authorized Distributor

Click to View Pricing, Inventory, Delivery & Lifecycle Information:

[Molex:](#)

[74058-1034](#)