

PLEASE CHECK WWW.MOLEX.COM FOR LATEST PART INFORMATION

Part Number: [0733860320](#)
Status: **Active**
Overview: [RF/Microwave Adapters](#)
Description: 50 Ohms, SMA Plug-to-MMCX Reverse Polarized Plug Adapter, Bag

Documents:

[Drawing \(PDF\)](#) [RoHS Certificate of Compliance \(PDF\)](#)

General

Product Family	RF/Coax Connectors
Series	73386
Overview	RF/Microwave Adapters
Product Name	Adapter, MMCX, SMA
Style	Adapter, Between-Series Adapter
Type	Subminiature
UPC	756054328972
Wire/Cable Type	N/A

Physical

Gender	Plug/Plug
Keying to Mating Part	None
Orientation	Straight
PCB Mounting	N/A
Packaging Type	Bag
Panel Mount	No
Panel Mount Method	N/A
Reverse Polar	Yes

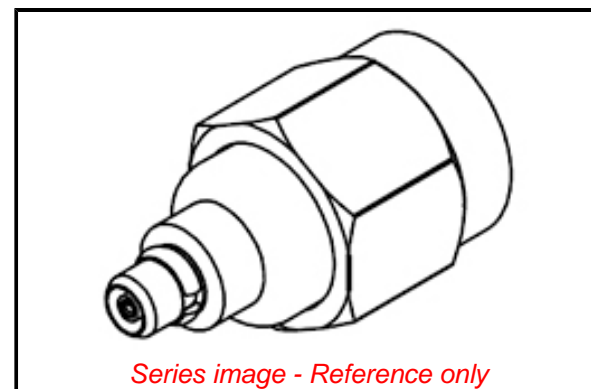
Electrical

Frequency	6 GHz
Impedance	50Ω
Power / Voltage	See Specification

Material Info

Reference - Drawing Numbers

Sales Drawing	SD-73386-032-001
---------------	------------------



Series image - Reference only

EU ELV

Not Reviewed

EU RoHS

Not Reviewed

REACH SVHC

Not Reviewed

Halogen-Free

Status

Not Reviewed

For more information, please visit [Contact US](#)

China ROHS

Not Reviewed

ELV

Not Reviewed

RoHS Phthalates

Not Reviewed

Search Parts in this Series

[73386 Series](#)

Mouser Electronics

Authorized Distributor

Click to View Pricing, Inventory, Delivery & Lifecycle Information:

[Molex:](#)

[73386-0320](#)