

**PLEASE CHECK WWW.MOLEX.COM FOR LATEST PART INFORMATION**

**Part Number:** [0713495937](#)  
**Status:** **Active**  
**Overview:** [C-Grid Connector Products](#)  
**Description:** 2.54mm Pitch C-Grid Header, Surface Mount, Dual Row, Vertical, Shrouded, 10 Circuits, 0.76µm Gold (Au) Selective Plating, without Press-fit Plastic Pegs

**Documents:**

<a href="#">3D Model</a>	<a href="#">Packaging Specification PK-70873-0018-001 (PDF)</a>
<a href="#">Drawing (PDF)</a>	<a href="#">Packaging Specification PK-70873-0019-001 (PDF)</a>
<a href="#">3D Model (PDF)</a>	<a href="#">Packaging Specification PK-74163-9000-001 (PDF)</a>
<a href="#">Product Specification PS-71349-001-001 (PDF)</a>	<a href="#">RoHS Certificate of Compliance (PDF)</a>
<a href="#">Application Specification 713080001-AS-000 (PDF)</a>	

**Agency Certification**

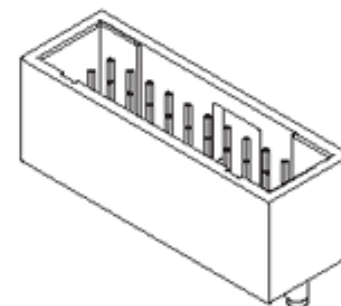
UL E29179

**General**

Product Family	PCB Headers
Series	<a href="#">71349</a>
Application	Signal, Wire-to-Board
Overview	<a href="#">C-Grid Connector Products</a>
Product Name	C-Grid
UPC	822348872800

**Physical**

Breakaway	No
Circuits (Loaded)	10
Circuits (maximum)	10
Color - Resin	Black
First Mate / Last Break	No
Flammability	94V-0
Glow-Wire Capable	No
Guide to Mating Part	No
Keying to Mating Part	None
Lock to Mating Part	Yes
Material - Metal	Brass, Phosphor Bronze
Material - Plating Mating	Gold
Material - Plating Termination	Tin
Material - Resin	High Temperature Thermoplastic
Net Weight	2.545/g
Number of Rows	2
Orientation	Vertical
PCB Locator	No
PCB Retention	None
Packaging Type	Embossed Tape on Reel
Pitch - Mating Interface	2.54mm
Pitch - Termination Interface	2.54mm
Plating min - Mating	0.762µm
Plating min - Termination	1.905µm
Polarized to Mating Part	Yes
Polarized to PCB	No
Shrouded	Closed Ends
Stackable	No
Surface Mount Compatible (SMC)	Yes
Temperature Range - Operating	-55° to +105°C
Termination Interface: Style	Surface Mount



*Series image - Reference only*

**EU ELV**

**Not Relevant**

**EU RoHS**

**Compliant**

**REACH SVHC**

Not Contained Per -  
D(2021)4569-DC (8  
July 2021)

**Halogen-Free**

**Status**

**Not Low-Halogen**

For more information, please visit [Contact US](#)

China ROHS

ELV

RoHS Phthalates

**China RoHS**

Green Image

Not Relevant

Not Contained

**Search Parts in this Series**

[71349](#) Series

**Mates With**

[70013](#) Interim Clip, [70450](#) Version A Crimp Housing, [71850](#) Through-hole Receptacle, [71395](#) SMT Receptacle

**Electrical**

Current - Maximum per Contact	2.5A
Voltage - Maximum	250V DC

**Solder Process Data**

Duration at Max. Process Temperature (seconds)	005
Lead-free Process Capability	REFLOW
Max. Cycles at Max. Process Temperature	001
Process Temperature max. C	245

**Material Info****Reference - Drawing Numbers**

Application Specification	713080001-AS-000
Packaging Specification	PK-70873-0018-001, PK-70873-0019-001, PK-74163-9000-001
Product Specification	PS-71349-001-001
Sales Drawing	SD-71349-001-001

This document was generated on 09/14/2021

**PLEASE CHECK [WWW.MOLEX.COM](http://WWW.MOLEX.COM) FOR LATEST PART INFORMATION**

# Mouser Electronics

Authorized Distributor

Click to View Pricing, Inventory, Delivery & Lifecycle Information:

[Molex:](#)

[71349-5937](#)