

PLEASE CHECK WWW.MOLEX.COM FOR LATEST PART INFORMATION

Part Number: [0713492043](#)
Status: **Active**
Overview: [C-Grid Connector Products](#)
Description: 2.54mm Pitch C-Grid Header, Surface Mount, Dual Row, Vertical, Shrouded, 22 Circuits, 0.38µm Gold (Au) Selective Plating, with Press-fit Plastic Pegs

Documents:

3D Model	Packaging Specification PK-70873-0018-001 (PDF)
Drawing (PDF)	Packaging Specification PK-70873-0019-001 (PDF)
3D Model (PDF)	Packaging Specification PK-74163-9000-001 (PDF)
Product Specification PS-71349-001-001 (PDF)	RoHS Certificate of Compliance (PDF)
Application Specification 713080001-AS-000 (PDF)	

Agency Certification

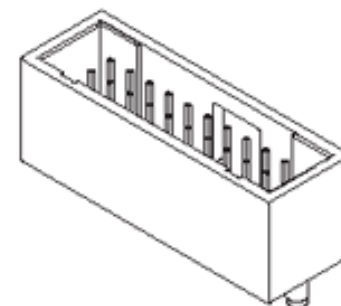
UL E29179

General

Product Family	PCB Headers
Series	71349
Application	Signal, Wire-to-Board
Overview	C-Grid Connector Products
Product Name	C-Grid
UPC	883906031862

Physical

Breakaway	No
Circuits (Loaded)	22
Circuits (maximum)	22
Color - Resin	Black
First Mate / Last Break	No
Flammability	94V-0
Glow-Wire Capable	No
Guide to Mating Part	No
Keying to Mating Part	None
Lock to Mating Part	Yes
Material - Metal	Brass, Phosphor Bronze
Material - Plating Mating	Gold
Material - Plating Termination	Tin
Material - Resin	High Temperature Thermoplastic
Net Weight	4.276/g
Number of Rows	2
Orientation	Vertical
PCB Locator	Yes
PCB Retention	None
Packaging Type	Tube
Pitch - Mating Interface	2.54mm
Pitch - Termination Interface	2.54mm
Plating min - Mating	0.381µm
Plating min - Termination	1.905µm
Polarized to Mating Part	Yes
Polarized to PCB	Yes
Shrouded	Closed Ends
Stackable	No
Surface Mount Compatible (SMC)	Yes
Temperature Range - Operating	-55° to +105°C
Termination Interface: Style	Surface Mount



Series image - Reference only

EU ELV

Not Relevant

EU RoHS

Compliant

REACH SVHC

Not Contained Per -
D(2021)4569-DC (8
July 2021)

Halogen-Free

Status

Low-Halogen

For more information, please visit [Contact US](#)

China ROHS

ELV

RoHS Phthalates

China RoHS

Green Image

Not Relevant

Not Contained

Search Parts in this Series

[71349](#) Series

Mates With

[70013](#) Interim Clip, [70450](#) Version A Crimp Housing, [71850](#) Through-hole Receptacle, [71395](#) SMT Receptacle

Electrical

Current - Maximum per Contact	2.5A
Voltage - Maximum	250V DC

Solder Process Data

Duration at Max. Process Temperature (seconds)	030
Lead-free Process Capability	REFLOW
Max. Cycles at Max. Process Temperature	003
Process Temperature max. C	245

Material Info**Reference - Drawing Numbers**

Application Specification	713080001-AS-000
Packaging Specification	PK-70873-0018-001, PK-70873-0019-001, PK-74163-9000-001
Product Specification	PS-71349-001-001
Sales Drawing	SDA-71349-XXXX-001

This document was generated on 08/27/2021

PLEASE CHECK WWW.MOLEX.COM FOR LATEST PART INFORMATION

Mouser Electronics

Authorized Distributor

Click to View Pricing, Inventory, Delivery & Lifecycle Information:

[Molex:](#)

[71349-2043](#)