

PLEASE CHECK WWW.MOLEX.COM FOR LATEST PART INFORMATION

Part Number: **0713491028**
Status: **Active**
Overview: C-Grid Connector Products
Description: 2.54mm Pitch C-Grid Header, Surface Mount, Dual Row, Vertical, Shrouded, 60 Circuits, Tin (Sn) Plating, without Press-fit Plastic Pegs

Documents:

[3D Model](#) [Application Specification 713080001-AS-000 \(PDF\)](#)
[3D Model \(PDF\)](#) [Packaging Specification PK-70873-0018-001 \(PDF\)](#)
[Drawing \(PDF\)](#) [RoHS Certificate of Compliance \(PDF\)](#)
[Product Specification PS-71349-001-001 \(PDF\)](#)

Agency Certification

UL E29179

General

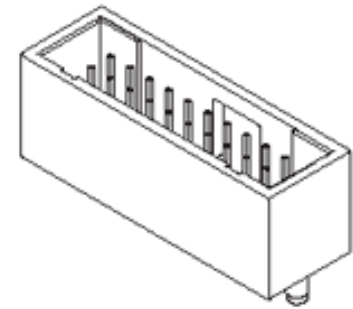
Product Family PCB Headers
Series [71349](#)
Application Signal, Wire-to-Board
Overview [C-Grid Connector Products](#)
Product Name C-Grid
UPC 756054241929

Physical

Breakaway No
Circuits (Loaded) 60
Circuits (maximum) 60
Color - Resin Black
Durability (mating cycles max) 25
First Mate / Last Break No
Flammability 94V-0
Glow-Wire Capable No
Guide to Mating Part No
Keying to Mating Part None
Lock to Mating Part Yes
Material - Metal Brass, Phosphor Bronze
Material - Plating Mating Tin
Material - Plating Termination Tin
Material - Resin High Temperature Thermoplastic
Net Weight 10.253/g
Number of Rows 2
Orientation Vertical
PCB Locator No
PCB Retention None
Packaging Type Tube
Pitch - Mating Interface 2.54mm
Pitch - Termination Interface 2.54mm
Plating min - Mating 3.810µm
Plating min - Termination 3.810µm
Polarized to Mating Part Yes
Shrouded Fully
Stackable No
Temperature Range - Operating -40° to +105°C
Termination Interface: Style Surface Mount

Electrical

Current - Maximum per Contact 3.0A



Series image - Reference only

EU ELV

Not Relevant

EU RoHS

Compliant

REACH SVHC

Not Contained Per -
D(2021)4569-DC (8
July 2021)

Halogen-Free

Status

Low-Halogen

For more information, please visit [Contact US](#)

China ROHS

ELV

RoHS Phthalates

China RoHS

Green Image

Not Relevant

Not Contained

Search Parts in this Series

[71349](#) Series

Mates With

[70013](#) Interim Clip, [70450](#) Version A Crimp Housing, [71850](#) Through-hole Receptacle, [71395](#) SMT Receptacle

Voltage - Maximum 250V

Solder Process Data

Duration at Max. Process Temperature (seconds) 030

Lead-free Process Capability REFLOW

Max. Cycles at Max. Process Temperature 003

Process Temperature max. C 245

Material Info

Reference - Drawing Numbers

Application Specification 713080001-AS-000

Packaging Specification PK-70873-0018-001

Product Specification PS-71349-001-001

Sales Drawing SDA-71349-XXXX-001

This document was generated on 09/13/2021

PLEASE CHECK WWW.MOLEX.COM FOR LATEST PART INFORMATION

Mouser Electronics

Authorized Distributor

Click to View Pricing, Inventory, Delivery & Lifecycle Information:

[Molex:](#)

[71349-1028](#)