

**PLEASE CHECK WWW.MOLEX.COM FOR LATEST PART INFORMATION**

**Part Number:** [0702464001](#)  
**Status:** **Active**  
**Overview:** C-Grid Connector Products  
**Description:** 2.54mm Pitch C-Grid Header, Low Profile, Dual Row, Vertical, Shrouded, 40 Circuits, 0.38µm Gold (Au) Selective Plating, Tin (Sn) PC Tail Plating

**Documents:**

<a href="#">3D Model</a>	<a href="#">Application Specification 713080001-AS-000 (PDF)</a>
<a href="#">Drawing (PDF)</a>	<a href="#">Packaging Specification PK-87835-001-001 (PDF)</a>
<a href="#">3D Model (PDF)</a>	<a href="#">RoHS Certificate of Compliance (PDF)</a>
<a href="#">Product Specification PS-70246-100-001 (PDF)</a>	

**Agency Certification**

CSA	LR19980
UL	E29179

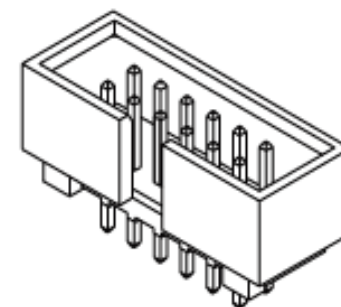
**General**

Product Family	PCB Headers
Series	<a href="#">70246</a>
Application	Signal, Wire-to-Board
Overview	<a href="#">C-Grid Connector Products</a>
Product Name	C-Grid
UPC	822348487554

**Physical**

Breakaway	No
Circuits (Loaded)	40
Circuits (maximum)	40
First Mate / Last Break	No
Flammability	94V-0
Glow-Wire Capable	No
Guide to Mating Part	No
Keying to Mating Part	None
Lock to Mating Part	None
Material - Plating Mating	Gold
Material - Plating Termination	Tin
Net Weight	4.674/g
Number of Rows	2
Orientation	Vertical
PC Tail Length	3.43mm
PCB Locator	No
PCB Retention	None
PCB Thickness - Recommended	1.60mm
Packaging Type	Tray
Pitch - Mating Interface	2.54mm
Pitch - Termination Interface	2.54mm
Plating min - Mating	0.381µm
Plating min - Termination	1.905µm
Polarized to Mating Part	Center Slot
Polarized to PCB	No
Shrouded	Fully
Stackable	No
Surface Mount Compatible (SMC)	No
Temperature Range - Operating	-55° to +120°C
Termination Interface: Style	Through Hole

**Electrical**



*Series image - Reference only*

**EU ELV**

**Not Relevant**

**EU RoHS**

**Compliant**

**REACH SVHC**

Not Contained Per -  
D(2021)4569-DC (8  
July 2021)

**Halogen-Free**

**Status**

**Not Low-Halogen**

For more information, please visit [Contact US](#)

China ROHS

ELV

RoHS Phthalates

**China RoHS**

Green Image

Not Relevant

Not Contained

**Search Parts in this Series**

[70246](#) Series

**Mates With**

[70450](#) SL Crimp Housing, [70058](#) SL Crimp Terminal

Current - Maximum per Contact	2.5A
Voltage - Maximum	250V DC

**Solder Process Data**

Duration at Max. Process Temperature (seconds)	010
Lead-free Process Capability	WAVE
Max. Cycles at Max. Process Temperature	001
Process Temperature max. C	235

**Material Info**

**Reference - Drawing Numbers**

Application Specification	713080001-AS-000
Packaging Specification	PK-87835-001-001
Product Specification	PS-70246-100-001
Sales Drawing	SDA-70246-XX20-25_39-41-0

This document was generated on 09/13/2021

**PLEASE CHECK [WWW.MOLEX.COM](http://WWW.MOLEX.COM) FOR LATEST PART INFORMATION**

# Mouser Electronics

Authorized Distributor

Click to View Pricing, Inventory, Delivery & Lifecycle Information:

[Molex:](#)

[70246-4001](#)