

**PLEASE CHECK WWW.MOLEX.COM FOR LATEST PART INFORMATION**

**Part Number:** [0622031420](#)  
**Status:** **Active**  
**Overview:** [Application Tooling](#)  
**Description:** Removal Tool for 8-by-20 NeoPress Plugs and Receptacles

**Documents:**

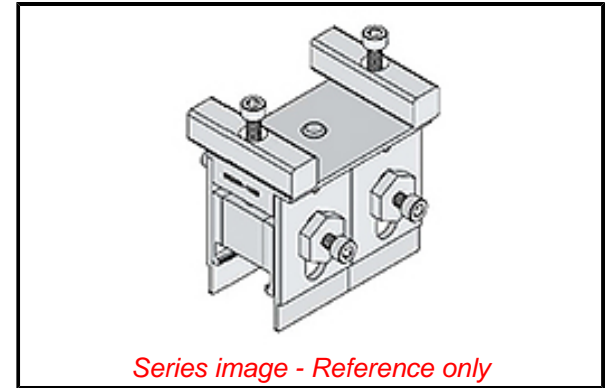
[RoHS Certificate of Compliance \(PDF\)](#)

**General**

Product Family	Application Tooling
Series	<a href="#">207123</a>
Comments	See Tooling Specification (PDF) Above
Function	Removal
Geographic Area	Global
Level of Automation	Manual
More Detailed Tech Information	<a href="mailto:applicationtooling@molex.com">applicationtooling@molex.com</a>
Overview	<a href="#">Application Tooling</a>
Product Name	NeoPress
Tool Type	Press-Fit Extraction Tool
UPC	191128324311
Warranty Disclaimer	CAUTION: Molex tooling crimp specifications are valid only when used with Molex terminals and tooling manufactured by Molex and sold by Molex or authorized distributors ("Molex Tooling"). When using tooling other than Molex Tooling with Molex specific connector systems listed in our ATS documents, the Molex tooling qualification does not apply and the responsibility for full qualification of the connector system is that of the customer. Molex accepts no liability for connector performance or tooling support where tooling other than Molex Tooling is used or where Molex Tooling is modified.

**Material Info**

**Reference - Drawing Numbers**  
Application Tooling Documents [ATS-622031420](#)



*Series image - Reference only*

**EU ELV**

**Not Reviewed**

**EU RoHS**

**Not Reviewed**

**REACH SVHC**

Not Reviewed

**Halogen-Free**

**Status**

**Not Reviewed**

For more information, please visit [Contact US](#)

China ROHS

Not Reviewed

ELV

Not Reviewed

RoHS Phthalates

Not Reviewed

**Search Parts in this Series**

[207123 Series](#)

**Application Tooling** | **FAQ**  
**Description** | **Product #**

NeoPress High-Speed Mezzanine Plug, 3.50mm Pitch, 8x20, 160 Triads (480 Circuits), 21.50mm Connector Height, 0.76µm Gold (Au) Plating	<a href="#">1728010010</a>
NeoPress High-Speed Mezzanine Receptacle, 3.50mm Pitch, 8x20, 160 Triads (480 Circuits), 18.50mm Connector Height, 0.76µm Gold (Au) Plating	<a href="#">1728320010</a>

# Mouser Electronics

Authorized Distributor

Click to View Pricing, Inventory, Delivery & Lifecycle Information:

[Molex:](#)

[62203-1420](#)