

PLEASE CHECK WWW.MOLEX.COM FOR LATEST PART INFORMATION

Part Number: **0622030155**
Status: **Active**
Overview: [Application Tooling](#)
Description: 2-by-6 SFP Stacked Multi-Port Insertion Tool

Documents:

[RoHS Certificate of Compliance \(PDF\)](#)

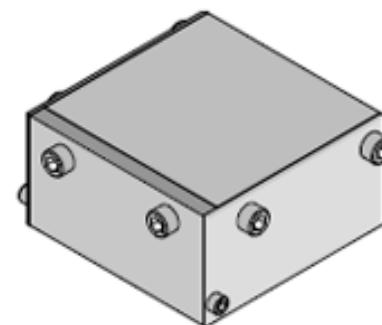
General

Product Family	Application Tooling
Series	207123
Function	Insertion
Geographic Area	Global
Level of Automation	Manual
More Detailed Tech Information	applicationtooling@molex.com
Overview	Application Tooling
Product Name	N/A
Tool Type	Press-Fit Insertion Tool
UPC	884982370661
Warranty Disclaimer	CAUTION: Molex tooling crimp specifications are valid only when used with Molex terminals and tooling manufactured by Molex and sold by Molex or authorized distributors ("Molex Tooling"). When using tooling other than Molex Tooling with Molex specific connector systems listed in our ATS documents, the Molex tooling qualification does not apply and the responsibility for full qualification of the connector system is that of the customer. Molex accepts no liability for connector performance or tooling support where tooling other than Molex Tooling is used or where Molex Tooling is modified.

Material Info

Reference - Drawing Numbers
Application Tooling Documents

ATS-622030155



Series image - Reference only

EU ELV

Not Reviewed

EU RoHS

Not Reviewed

REACH SVHC

Not Reviewed

Halogen-Free

Status

Not Reviewed

For more information, please visit [Contact US](#)

China ROHS

Not Reviewed

ELV

Not Reviewed

RoHS Phthalates

Not Reviewed

Search Parts in this Series

[207123 Series](#)

Use With

Small Form-factor Pluggable (SFP and SFP+) Stacked 2-by-6 Multi-Port Connector with Press-fit PC Tails [75451](#) , [75477](#) , [76094](#) , [76104](#) , [76048](#) , [76068](#)

Application Tooling

FAQ

Description

Product #

zSFP+ Stacked Ganged Assembly with Elastomeric Gasket, 2-by-6 No Light Pipes, 240 Circuits	1700716001
zSFP+ Stacked Ganged Assembly with Elastomeric Gasket, 2-by-6 with 4 Light Pipes, 240 Circuits	1700716011
zSFP+ Stacked Ganged Assembly with Elastomeric Gasket, 2-by-6 with	1700716012

Inner Light Pipes,
240 Circuits
zSFP+ Stacked 1700716013
Ganged Assembly
with Elastomeric
Gasket, 2-by-6 with
Outer Down/Up Light
Pipes, 240 Circuits
Small Form-factor 754515001
Pluggable (SFP)
Stacked 2-by-6 Multi-
Port Connector with
4 Lightpipes, with
Press-fit PC Tails,
240 Circuits, Lead-
Free
Small Form-factor 754515002
Pluggable (SFP)
Stacked 2-by-6 Multi-
Port Connector with
2 Inner Lightpipes,
with Press-fit PC
Tails, 240 Circuits,
Lead-Free
Small Form-factor 754775001
Pluggable (SFP)
Stacked 2-by-6 Multi-
Port Connector with
Press-fit PC Tails,
240 Circuits, Lead-
Free
Small Form-factor 760485001
Pluggable Plus (SFP
+) Stacked 2-by-6
Multi-Port Connector
with 4 Lightpipe
Ports, EMI Metal
Gasket, 240 Circuits,
Tin (Sn) Tails
Small Form-factor 760485002
Pluggable Plus (SFP
+) Stacked 2-by-6
Multi-Port Connector
with 2 Inner Lightpipe
Ports, EMI Metal
Gasket, 240 Circuits,
Tin (Sn) Tails
Small Form-factor 760685001
Pluggable Plus (SFP
+) Stacked 2-by-6
Multi-Port Press Fit
Connector without
Lightpipe Ports, EMI
Metal Gasket, 240
Circuits, Tin (Sn)
Tails
Small Form-factor 760945001
Pluggable Plus (SFP
+) Stacked 2-by-6
Multi-Port Connector
with 4 Lightpipe
Ports, Elastomeric
Gasket, 240 Circuits,
Tin (Sn) Tails

Small Form-factor 760945002
Pluggable Plus (SFP
+) Stacked 2-by-6
Multi-Port Connector
with 2 Inner Lightpipe
Ports, Elastomeric
Gasket, 240 Circuits,
Tin (Sn) Tails
Small Form-factor 760945003
Pluggable Plus
(SFP+) Stacked
2-by-6 Multi-Port
Connector with 2
Outer Lightpipe
Ports, Elastomeric
Gasket, 240 Circuits,
Tin (Sn) Tails

This document was generated on 02/27/2021

PLEASE CHECK WWW.MOLEX.COM FOR LATEST PART INFORMATION

Mouser Electronics

Authorized Distributor

Click to View Pricing, Inventory, Delivery & Lifecycle Information:

[Molex:](#)

[62203-0155](#)