

**PLEASE CHECK WWW.MOLEX.COM FOR LATEST PART INFORMATION**

**Part Number:** [0622029815](#)  
**Status:** **Active**  
**Overview:** [Application Tooling](#)  
**Description:** 2-by-8 Stacked Multi-Port Insertion Tool

**Documents:**  
[RoHS Certificate of Compliance \(PDF\)](#)

**General**

Product Family	Application Tooling
Series	<a href="#">207123</a>
Function	Insertion
Geographic Area	Global
Level of Automation	Manual
More Detailed Tech Information	<a href="mailto:applicationtooling@molex.com">applicationtooling@molex.com</a>
Overview	<a href="#">Application Tooling</a>
Product Name	PremiumGrade
Tool Type	Press-Fit Insertion Tool
UPC	884982625440
Warranty Disclaimer	CAUTION: Molex tooling crimp specifications are valid only when used with Molex terminals and tooling manufactured by Molex and sold by Molex or authorized distributors ("Molex Tooling"). When using tooling other than Molex Tooling with Molex specific connector systems listed in our ATS documents, the Molex tooling qualification does not apply and the responsibility for full qualification of the connector system is that of the customer. Molex accepts no liability for connector performance or tooling support where tooling other than Molex Tooling is used or where Molex Tooling is modified.

**Physical**

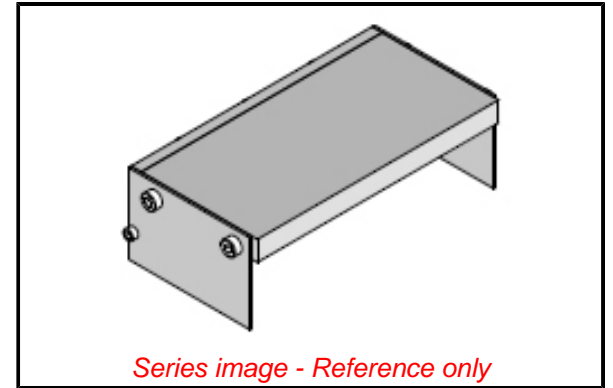
Net Weight 794.760/g

**Material Info**

Engineering Number 62201-9815

**Reference - Drawing Numbers**

Application Tooling Documents [ATS-622029815](#)



**EU ELV**

**Not Relevant**

**EU RoHS**

**Not Reviewed**

**REACH SVHC**

Not Reviewed

**Halogen-Free**

**Status**

**Not Relevant**

For more information, please visit [Contact US](#)

China ROHS

Not Relevant

ELV

Not Relevant

RoHS Phthalates

Not Reviewed

**Search Parts in this Series**

[207123 Series](#)

**Use With**

[76352](#) , [170071](#) Small Form-factor Pluggable SFP+ and zSFP+, 2-by-8 Multi-Port Connector with Press-fit PC Tails

**Application Tooling**

**FAQ**

**Description**

**Product #**

zSFP+ Stacked Ganged Assembly with Elastomeric Gasket, 2-by-8 No Light Pipes, 320 Circuits	<a href="#">1700718001</a>
zSFP+ Stacked Ganged Assembly with Elastomeric Gasket, 2-by-8 with 4 Light Pipes, 320 Circuits	<a href="#">1700718011</a>
zSFP+ Stacked Ganged Assembly with Elastomeric Gasket, 2-by-8 with	<a href="#">1700718012</a>

Inner Light Pipes,  
320 Circuits  
zSFP+ Stacked 1700718013  
Ganged Assembly  
with Elastomeric  
Gasket, 2-by-8 with  
Outer Down/Up Light  
Pipes, 320 Circuits

This document was generated on 02/27/2021

**PLEASE CHECK [WWW.MOLEX.COM](http://WWW.MOLEX.COM) FOR LATEST PART INFORMATION**

# Mouser Electronics

Authorized Distributor

Click to View Pricing, Inventory, Delivery & Lifecycle Information:

[Molex:](#)

[62202-9815](#)