

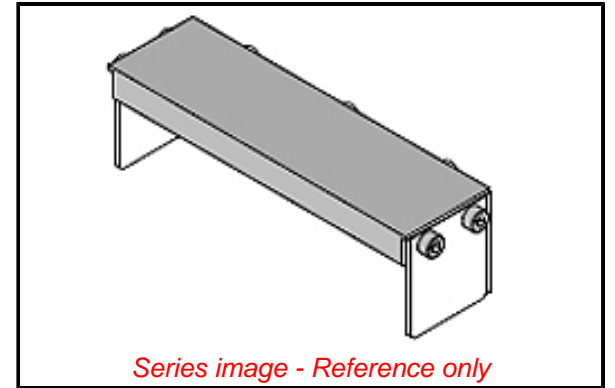
**PLEASE CHECK WWW.MOLEX.COM FOR LATEST PART INFORMATION**

**Part Number:** [0622029736](#)  
**Status:** **Active**  
**Overview:** [Application Tooling](#)  
**Description:** 10 Gigabit Ethernet 2-by-8 Magnetic Jack Tooling

**Documents:**  
[RoHS Certificate of Compliance \(PDF\)](#)

<b>General</b>	
Product Family	Application Tooling
Series	<a href="#">207123</a>
Comments	See Tooling Specification (PDF) Above
Function	Insertion
Geographic Area	Global
Level of Automation	Manual
More Detailed Tech Information	<a href="mailto:applicationtooling@molex.com">applicationtooling@molex.com</a>
Overview	<a href="#">Application Tooling</a>
Product Name	N/A
Tool Type	Press-Fit Insertion Tool
UPC	884982688094
Warranty Disclaimer	CAUTION: Molex tooling crimp specifications are valid only when used with Molex terminals and tooling manufactured by Molex and sold by Molex or authorized distributors ("Molex Tooling"). When using tooling other than Molex Tooling with Molex specific connector systems listed in our ATS documents, the Molex tooling qualification does not apply and the responsibility for full qualification of the connector system is that of the customer. Molex accepts no liability for connector performance or tooling support where tooling other than Molex Tooling is used or where Molex Tooling is modified.

<b>Material Info</b>	
<b>Reference - Drawing Numbers</b>	
Application Tooling Documents	ATS-622029736



Series image - Reference only

**EU ELV**

**Not Reviewed**

**EU RoHS**

**Not Reviewed**

**REACH SVHC**

Not Reviewed

**Halogen-Free**

**Status**

**Not Reviewed**

For more information, please visit [Contact US](#)

China ROHS

**China RoHS**

Not Reviewed

ELV

Not Reviewed

RoHS Phthalates

Not Reviewed

**Search Parts in this Series**

[207123 Series](#)

**Use With**

[170722](#) 10GBE 2 by 8 Magnetic Jack Assemblies with Press-fit Tails

# Mouser Electronics

Authorized Distributor

Click to View Pricing, Inventory, Delivery & Lifecycle Information:

[Molex:](#)

[62202-9736](#)