

PLEASE CHECK WWW.MOLEX.COM FOR LATEST PART INFORMATION

Part Number: [0622018975](#)
Status: **Active**
Overview: [Application Tooling](#)
Description: Impel Daughtercard Module Installation Press-In Tool

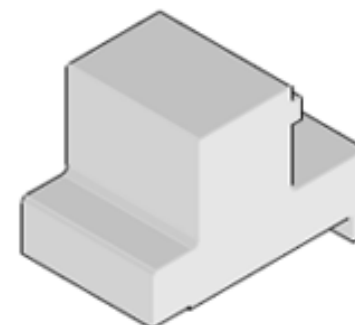
Documents:
[RoHS Certificate of Compliance \(PDF\)](#)

General

Product Family	Application Tooling
Series	207123
Comments	See Tooling Specification (PDF) Above
Function	Insertion
Geographic Area	Global
Level of Automation	Manual
More Detailed Tech Information	applicationtooling@molex.com
Overview	Application Tooling
Product Name	Impel
Tool Type	Press-Fit Insertion Tool
UPC	887191428079
Warranty Disclaimer	CAUTION: Molex tooling crimp specifications are valid only when used with Molex terminals and tooling manufactured by Molex and sold by Molex or authorized distributors ("Molex Tooling"). When using tooling other than Molex Tooling with Molex specific connector systems listed in our ATS documents, the Molex tooling qualification does not apply and the responsibility for full qualification of the connector system is that of the customer. Molex accepts no liability for connector performance or tooling support where tooling other than Molex Tooling is used or where Molex Tooling is modified.

Material Info

Reference - Drawing Numbers
Application Tooling Documents [ATS-622018975](#)



Series image - Reference only

EU ELV

Not Reviewed

EU RoHS

Not Reviewed

REACH SVHC

Not Reviewed

Halogen-Free

Status

Not Reviewed

For more information, please visit [Contact US](#)

China ROHS

Not Reviewed

ELV

Not Reviewed

RoHS Phthalates

Not Reviewed

Search Parts in this Series

[207123 Series](#)

Use With

[171760](#) Impel 3.00mm Pitch Daughtercard Module Assembly, 6-Pair by 8 Column Assemblies

Application Tooling | [FAQ](#)

Description	Product #
Impel 90 Ohm, 6 Pair Right-Angle Daughtercard, 1.90mm Pitch, Unguided, 12 Columns, 144 Circuits, Plated Through Hole Dimension 0.36mm	1714001022
Impel 90 Ohm 6 Pair Right-Angle Daughtercard, 3.00mm Pitch, Unguided, 8 Columns, 96 Circuits, Plated Through Hole Dimension 0.36mm	1717601038

Impel 90 Ohm 6 Pair Right-Angle Daughtercard, 3.00mm Pitch, Right Guided, Key B, 8 Columns, 96 Circuits, Plated Through Hole Dimension 0.36mm	<u>1717605238</u>
Impact zX2 95 Ohm 6 Pair Right- Angle Orthogonal Daughtercard, Unguided, 12 Columns, 288 Circuits, Plated Through Hole Dimension 0.36mm, Lead-Free	<u>1725401022</u>

This document was generated on 02/27/2021

PLEASE CHECK WWW.MOLEX.COM FOR LATEST PART INFORMATION

Mouser Electronics

Authorized Distributor

Click to View Pricing, Inventory, Delivery & Lifecycle Information:

[Molex:](#)

[62201-8975](#)