

PLEASE CHECK WWW.MOLEX.COM FOR LATEST PART INFORMATION

Part Number: [0622018919](#)
Status: **Active**
Overview: [Application Tooling](#)
Description: Impel Daughter Card Press-In Tool

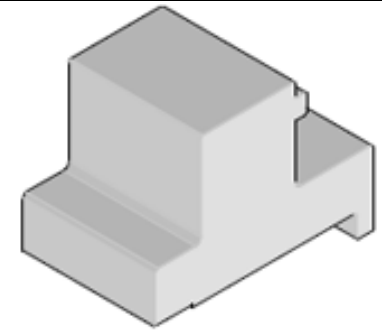
Documents:
[RoHS Certificate of Compliance \(PDF\)](#)

General

Product Family	Application Tooling
Series	207123
Comments	See Tooling Specification (PDF) Above
Function	Insertion
Geographic Area	Global
Level of Automation	Manual
More Detailed Tech Information	applicationtooling@molex.com
Overview	Application Tooling
Product Name	Impel
Tool Type	Press-Fit Insertion Tool
UPC	887191156491
Warranty Disclaimer	CAUTION: Molex tooling crimp specifications are valid only when used with Molex terminals and tooling manufactured by Molex and sold by Molex or authorized distributors ("Molex Tooling"). When using tooling other than Molex Tooling with Molex specific connector systems listed in our ATS documents, the Molex tooling qualification does not apply and the responsibility for full qualification of the connector system is that of the customer. Molex accepts no liability for connector performance or tooling support where tooling other than Molex Tooling is used or where Molex Tooling is modified.

Material Info

Reference - Drawing Numbers
Application Tooling Documents [ATS-622018919](#)



Series image - Reference only

EU ELV

Not Relevant

EU RoHS

Compliant

REACH SVHC

Not Contained Per -
D(2020)9139-DC (19
Jan 2021)

Halogen-Free

Status

Not Relevant

For more information, please visit [Contact US](#)

China RoHS

China ROHS

Not Relevant

ELV

Not Relevant

RoHS Phthalates

Not Contained

Search Parts in this Series

[207123 Series](#)

Use With

[171400](#) Impel 1.9mm Pitch Daughtercard Module Assembly, 6-Pair by 10 Column Assemblies

Application Tooling | [FAQ](#)

Description	Product #
Impel 90 Ohm, 6 Pair Right-Angle Daughtercard, 1.90mm Pitch, Unguided, 10 Columns, 120 Circuits, Plated Through Hole Dimension 0.36mm	1714001020
Impel 90 Ohm, 6 Pair Right-Angle Daughtercard, 1.90mm Pitch, Left Guided, 10 Columns, 120 Circuits, Plated	1714003020

Through Hole
Dimension 0.36mm
Impel 90 Ohm, 6 1714005020
Pair Right-Angle
Daughtercard,
1.90mm Pitch, Right
Guided, 10 Columns,
120 Circuits, Plated
Through Hole
Dimension 0.36mm
Impel 90 Ohm 6 1721301108
Pair Right-Angle
Header, 1.90mm
Pitch, Unguided,
10 Columns, Open
Endwalls, 120
Circuits, Pin Length
5.50mm, Plated
Through Hole
Dimension 0.36mm

This document was generated on 02/27/2021

PLEASE CHECK WWW.MOLEX.COM FOR LATEST PART INFORMATION

Mouser Electronics

Authorized Distributor

Click to View Pricing, Inventory, Delivery & Lifecycle Information:

[Molex:](#)

[62201-8919](#)