

PLEASE CHECK WWW.MOLEX.COM FOR LATEST PART INFORMATION

Part Number: [0622018856](#)
Status: **Active**
Overview: [Application Tooling](#)
Description: Press-In Tool for Impact Signal Module Assembly

Documents:
[RoHS Certificate of Compliance \(PDF\)](#)

General

Product Family	Application Tooling
Series	207123
Comments	See Tooling Specification (PDF) Above
Function	Insertion
Geographic Area	Global
Level of Automation	Manual
More Detailed Tech Information	applicationtooling@molex.com
Overview	Application Tooling
Product Name	Impact
Tool Type	Press-Fit Insertion Tool
UPC	887191351230
Warranty Disclaimer	CAUTION: Molex tooling crimp specifications are valid only when used with Molex terminals and tooling manufactured by Molex and sold by Molex or authorized distributors ("Molex Tooling"). When using tooling other than Molex Tooling with Molex specific connector systems listed in our ATS documents, the Molex tooling qualification does not apply and the responsibility for full qualification of the connector system is that of the customer. Molex accepts no liability for connector performance or tooling support where tooling other than Molex Tooling is used or where Molex Tooling is modified.

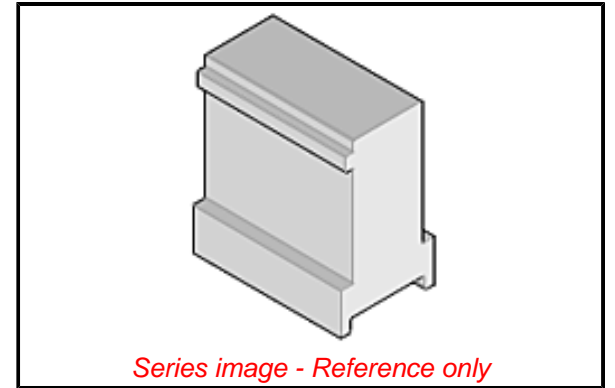
Physical

Net Weight 127.400/g

Material Info

Reference - Drawing Numbers

Application Tooling Documents [ATS-622018856, TM-622018799](#)



EU ELV

Not Relevant

EU RoHS

Not Reviewed

REACH SVHC

Not Reviewed

Halogen-Free

Status

Not Relevant

For more information, please visit [Contact US](#)

China ROHS

Not Relevant

ELV

Not Relevant

RoHS Phthalates

Not Reviewed

Search Parts in this Series

[207123 Series](#)

Use With

[170415](#) Impact Vertical Mezzanine Signal Module Assembly, 3-Pair by16 Column Assemblies

Application Tooling

Description

FAQ

Product #

Impact 100 Ohm [1704151918](#)

3 Pair Mezzanine Receptacle, Unguided, 18.00mm Stack Height, 16 Columns, 144 Circuits, Plated Through Hole Dimension 0.39mm, Lead-Free

Impact 100 Ohm [1704151922](#)

3 Pair Mezzanine Receptacle, Unguided, 22.00mm Stack Height, 16 Columns, 144 Circuits, Plated

Through Hole
Dimension 0.39mm,
Lead-Free

This document was generated on 02/27/2021

PLEASE CHECK WWW.MOLEX.COM FOR LATEST PART INFORMATION

Mouser Electronics

Authorized Distributor

Click to View Pricing, Inventory, Delivery & Lifecycle Information:

[Molex:](#)

[62201-8856](#)