

PLEASE CHECK WWW.MOLEX.COM FOR LATEST PART INFORMATION

Part Number: [0622018612](#)
Status: **Active**
Overview: [Application Tooling](#)
Description: Press-In Tool for Right-Angle Receptacle and Header 7-Row, 10-Column

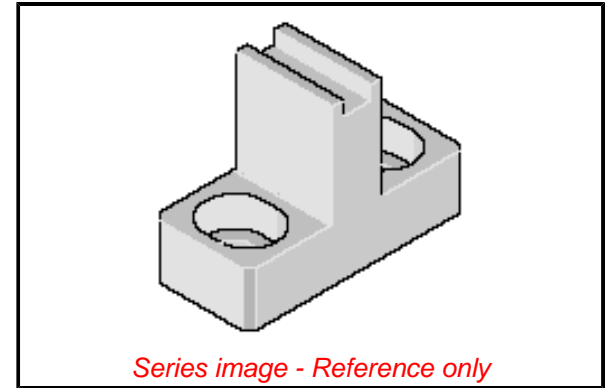
Documents:
[RoHS Certificate of Compliance \(PDF\)](#)

General

Product Family	Application Tooling
Series	207123
Comments	See Tooling Specification (PDF) Above, Press-In Tool
Function	Insertion
Geographic Area	Global
Level of Automation	Manual
More Detailed Tech Information	applicationtooling@molex.com
Overview	Application Tooling
Product Name	PremiumGrade
Tool Type	Press-Fit Insertion Tool
UPC	822350874687
Warranty Disclaimer	CAUTION: Molex tooling crimp specifications are valid only when used with Molex terminals and tooling manufactured by Molex and sold by Molex or authorized distributors ("Molex Tooling"). When using tooling other than Molex Tooling with Molex specific connector systems listed in our ATS documents, the Molex tooling qualification does not apply and the responsibility for full qualification of the connector system is that of the customer. Molex accepts no liability for connector performance or tooling support where tooling other than Molex Tooling is used or where Molex Tooling is modified.

Material Info

Reference - Drawing Numbers
Application Tooling Documents [ATS-622018612, TM-622018699](#)



EU ELV

Not Relevant

EU RoHS

Compliant

REACH SVHC

Not Contained Per
-ED/01/2018 (15
January 2018)

Halogen-Free

Status

Not Relevant

For more information, please visit [Contact US](#)

China ROHS

ELV

RoHS Phthalates

China RoHS

Not Relevant

Not Relevant

Not Contained

Search Parts in this Series

[207123 Series](#)

Use With

GbX I-Trac Daughtercard Signal Module, [76020 Series](#) and GbX I-Trac RAM Signal Module, [76011 Series](#)

Application Tooling | **FAQ**

Description	Product #
--------------------	------------------

GbX I-Trac Right-Angle Receptacle Module, 1.85mm by 3.70mm Pitch, Unguided, 7 Row, 10 Columns, 140 Circuits, Lead-Free	760201010
--	---------------------------

GbX I-Trac Right-Angle Receptacle Module, 1.85mm by 3.70mm Pitch, Left Guide 7 Row, 10 Columns, 140 Circuits, Lead-Free	760203010
---	---------------------------

GbX I-Trac Right-
Angle Receptacle
Module, 1.85mm
by 3.70mm Pitch,
Right Guide 7 Row,
10 Columns, 140
Circuits, Lead-Free

760205010

This document was generated on 02/26/2021

PLEASE CHECK WWW.MOLEX.COM FOR LATEST PART INFORMATION

Mouser Electronics

Authorized Distributor

Click to View Pricing, Inventory, Delivery & Lifecycle Information:

[Molex:](#)

[62201-8612](#)