

**PLEASE CHECK WWW.MOLEX.COM FOR LATEST PART INFORMATION**

**Part Number:** **0621006000**  
**Status:** **Active**  
**Overview:** Application Tooling  
**Description:** Extractor Tool for Connectors

**Documents:**  
[RoHS Certificate of Compliance \(PDF\)](#)

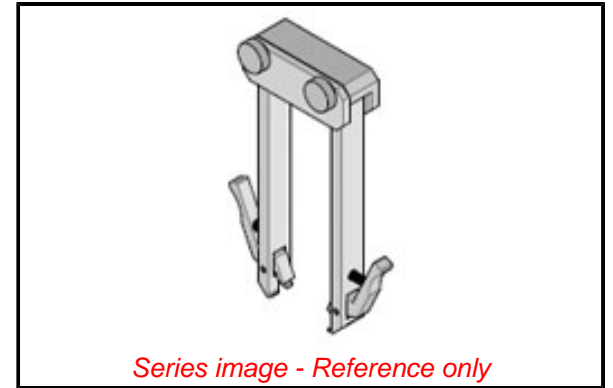
**General**

Product Family	Application Tooling
Series	<u>207121</u>
Comments	See Tooling Specification (PDF) Above
Function	Insertion/Extraction
Geographic Area	Global
Level of Automation	Semi-Automatic
More Detailed Tech Information	<a href="mailto:applicationtooling@molex.com">applicationtooling@molex.com</a>
Overview	<u>Application Tooling</u>
Product Name	Picoflex
Tool Type	Extraction Hand Tool
UPC	883906855192
Warranty Disclaimer	CAUTION: Molex tooling crimp specifications are valid only when used with Molex terminals and tooling manufactured by Molex and sold by Molex or authorized distributors ("Molex Tooling"). When using tooling other than Molex Tooling with Molex specific connector systems listed in our ATS documents, the Molex tooling qualification does not apply and the responsibility for full qualification of the connector system is that of the customer. Molex accepts no liability for connector performance or tooling support where tooling other than Molex Tooling is used or where Molex Tooling is modified.

**Material Info**

**Reference - Drawing Numbers**  
Application Tooling Documents

ATS-621006000-001



**EU ELV**

**Not Reviewed**

**EU RoHS**

**Not Reviewed**

**REACH SVHC**

Not Reviewed

**Halogen-Free**

**Status**

**Not Reviewed**

For more information, please visit [Contact US](#)

China ROHS

ELV

RoHS Phthalates

**China RoHS**

Not Reviewed

Not Reviewed

Not Reviewed

**Search Parts in this Series**

207121 Series

**Use With**

Picoflex Connectors with 4 to 26 Circuits  
90327 , 90779 , 90814 , 91819

**Application Tooling** | **FAQ**

Description	Product #
Picoflex PF-50, Low Profile, IDT Receptacle, 4 Circuits, White, Tin (Sn) Plated, Bag	<u>903270304</u>
Picoflex PF-50, Low Profile, IDT Receptacle, 6 Circuits, White, Tin (Sn) Plated, Bag	<u>903270306</u>
Picoflex PF-50, Low Profile, IDT Receptacle, 8 Circuits, White, Tin (Sn) Plated, Bag	<u>903270308</u>
Picoflex PF-50, Low Profile, IDT Receptacle, 10	<u>903270310</u>

Circuits, White, Tin (Sn) Plated, Bag Picoflex PF-50, Low Profile, IDT Receptacle, 12	<u>903270312</u>
Circuits, White, Tin (Sn) Plated, Bag Picoflex PF-50, Low Profile, IDT Receptacle, 14	<u>903270314</u>
Circuits, White, Tin (Sn) Plated, Bag Picoflex PF-50, Low Profile, IDT Receptacle, 16	<u>903270316</u>
Circuits, White, Tin (Sn) Plated, Bag Picoflex PF-50, Low Profile, IDT Receptacle, 18	<u>903270318</u>
Circuits, White, Tin (Sn) Plated, Bag Picoflex PF-50, Low Profile, IDT Receptacle, 20	<u>903270320</u>
Circuits, White, Tin (Sn) Plated, Bag Picoflex PF-50, Low Profile, IDT Receptacle, 22	<u>903270322</u>
Circuits, White, Tin (Sn) Plated, Bag Picoflex PF-50, Low Profile, IDT Receptacle, 24	<u>903270324</u>
Circuits, White, Tin (Sn) Plated, Bag Picoflex PF-50, Low Profile, IDT Receptacle, 26	<u>903270326</u>
Circuits, White, Tin (Sn) Plated, Bag 26 CCT PICO FLEX IDT HSG 903271326	<u>903271326</u>
Picoflex PF-50, Low Profile, IDT Receptacle, 4	<u>903273304</u>
Circuits, White, Palladium Nickel with Gold (Au) Flash Plated, Bag Picoflex PF-50, Low Profile, IDT Receptacle, 6	<u>903273306</u>
Circuits, White, Palladium Nickel with Gold (Au) Flash Plated, Bag Picoflex PF-50, Low Profile, IDT Receptacle, 8	<u>903273308</u>
Circuits, White, Palladium Nickel with Gold (Au) Flash Plated, Bag	

Picoflex PF-50, Low Profile, IDT Receptacle, 10 Circuits, White, Palladium Nickel with Gold (Au) Flash Plated, Bag	<u>903273310</u>
Picoflex PF-50, Low Profile, IDT Receptacle, 12 Circuits, White, Palladium Nickel with Gold (Au) Flash Plated, Bag	<u>903273312</u>
Picoflex PF-50, Low Profile, IDT Receptacle, 14 Circuits, White, Palladium Nickel with Gold (Au) Flash Plated, Bag	<u>903273314</u>
Picoflex PF-50, Low Profile, IDT Receptacle, 16 Circuits, White, Palladium Nickel with Gold (Au) Flash Plated, Bag	<u>903273316</u>
Picoflex PF-50, Low Profile, IDT Receptacle, 18 Circuits, White, Palladium Nickel with Gold (Au) Flash Plated, Bag	<u>903273318</u>
Picoflex PF-50, Low Profile, IDT Receptacle, 20 Circuits, White, Palladium Nickel with Gold (Au) Flash Plated, Bag	<u>903273320</u>
Picoflex PF-50, Low Profile, IDT Receptacle, 22 Circuits, White, Palladium Nickel with Gold (Au) Flash Plated, Bag	<u>903273322</u>
Picoflex PF-50, Low Profile, IDT Receptacle, 24 Circuits, White, Palladium Nickel with Gold (Au) Flash Plated, Bag	<u>903273324</u>
Picoflex PF-50, Low Profile, IDT Receptacle, 26 Circuits, White, Palladium Nickel with Gold (Au) Flash Plated, Bag	<u>903273326</u>
Picoflex PF-50 IDT- to-Picoflex PF-50	<u>923150401</u>

IDT Cable Assembly,  
1.0m Length, Tin  
(Sn) Plating, 4  
Circuits

Picoflex PF-50 IDT- 923150406  
to-Picoflex PF-50  
IDT Cable Assembly,  
0.06m Length,  
Tin (Sn) Plating, 4  
Circuits

Picoflex PF-50 IDT- 923150407  
to-Picoflex PF-50  
IDT Cable Assembly,  
0.07m Length,  
Tin (Sn) Plating, 4  
Circuits

Picoflex PF-50 923150408  
IDT-to-Picoflex  
PF-50 IDT Off-the-  
Shelf (OTS) Cable  
Assembly, 80.00mm  
Length, Tin (Sn)  
Plating, 4 Circuits

Picoflex PF-50 IDT- 923150410  
to-Picoflex PF-50  
IDT Cable Assembly,  
0.10m Length,  
Tin (Sn) Plating, 4  
Circuits

Picoflex PF-50 IDT- 923150413  
to-Picoflex PF-50  
IDT Cable Assembly,  
0.13m Length,  
Tin (Sn) Plating, 4  
Circuits

Picoflex PF-50 IDT- 923150415  
to-Picoflex PF-50  
IDT Cable Assembly,  
0.15m Length,  
Tin (Sn) Plating, 4  
Circuits

Picoflex PF-50 923150416  
IDT-to-Picoflex  
PF-50 IDT Off-  
the-Shelf (OTS)  
Cable Assembly,  
160.00mm Length,  
Tin (Sn) Plating, 4  
Circuits

Picoflex PF-50 IDT- 923150417  
to-Picoflex PF-50  
IDT Cable Assembly,  
0.17m Length,  
Tin (Sn) Plating, 4  
Circuits

Picoflex PF-50 IDT- 923150420  
to-Picoflex PF-50  
IDT Cable Assembly,  
0.20m Length,  
Tin (Sn) Plating, 4  
Circuits

Picoflex PF-50 IDT- 923150422  
to-Picoflex PF-50  
IDT Cable Assembly,  
0.22m Length,

Tin (Sn) Plating, 4  
Circuits  
Picoflex PF-50 923150424  
IDT-to-Picoflex  
PF-50 IDT Off-  
the-Shelf (OTS)  
Cable Assembly,  
240.00mm Length,  
Tin (Sn) Plating, 4  
Circuits  
Picoflex PF-50 IDT- 923150425  
to-Picoflex PF-50  
IDT Cable Assembly,  
0.25m Length,  
Tin (Sn) Plating, 4  
Circuits  
Picoflex PF-50 IDT- 923150430  
to-Picoflex PF-50  
IDT Cable Assembly,  
0.30m Length,  
Tin (Sn) Plating, 4  
Circuits  
Picoflex PF-50 923150432  
IDT-to-Picoflex  
PF-50 IDT Off-  
the-Shelf (OTS)  
Cable Assembly,  
320.00mm Length,  
Tin (Sn) Plating, 4  
Circuits  
Picoflex PF-50 IDT- 923150436  
to-Picoflex PF-50  
IDT Cable Assembly,  
0.36m Length,  
Tin (Sn) Plating, 4  
Circuits  
Picoflex PF-50 IDT- 923150440  
to-Picoflex PF-50  
IDT Cable Assembly,  
0.40m Length,  
Tin (Sn) Plating, 4  
Circuits  
Picoflex PF-50 923150450  
IDT-to-Picoflex  
PF-50 IDT Off-  
the-Shelf (OTS)  
Cable Assembly,  
500.00mm Length,  
Tin (Sn) Plating, 4  
Circuits  
Picoflex PF-50 IDT- 923150480  
to-Picoflex PF-50  
IDT Cable Assembly,  
0.80m Length,  
Tin (Sn) Plating, 4  
Circuits  
Picoflex PF-50 IDT- 923150601  
to-Picoflex PF-50  
IDT Cable Assembly,  
1.0m Length, Tin  
(Sn) Plating, 6  
Circuits  
Picoflex PF-50 IDT- 923150603  
to-Picoflex PF-50  
IDT Cable Assembly,

1.10m Length,  
Tin (Sn) Plating, 6  
Circuits  
Picoflex PF-50 IDT- 923150606  
to-Picoflex PF-50  
IDT Cable Assembly,  
0.06m Length,  
Tin (Sn) Plating, 6  
Circuits  
Picoflex PF-50 IDT- 923150607  
to-Picoflex PF-50  
IDT Cable Assembly,  
0.07m Length,  
Tin (Sn) Plating, 6  
Circuits  
Picoflex PF-50 923150608  
IDT-to-Picoflex  
PF-50 IDT Off-the-  
Shelf (OTS) Cable  
Assembly, 80.00mm  
Length, Tin (Sn)  
Plating, 6 Circuits  
Picoflex PF-50 IDT- 923150609  
to-Picoflex PF-50  
IDT Cable Assembly,  
0.09m Length,  
Tin (Sn) Plating, 6  
Circuits  
Picoflex PF-50 IDT- 923150610  
to-Picoflex PF-50  
IDT Cable Assembly,  
0.10m Length,  
Tin (Sn) Plating, 6  
Circuits  
Picoflex PF-50 IDT- 923150611  
to-Picoflex PF-50  
IDT Cable Assembly,  
0.11m Length,  
Tin (Sn) Plating, 6  
Circuits  
Picoflex PF-50 IDT- 923150612  
to-Picoflex PF-50  
IDT Cable Assembly,  
0.12m Length,  
Tin (Sn) Plating, 6  
Circuits  
Picoflex PF-50 IDT- 923150615  
to-Picoflex PF-50  
IDT Cable Assembly,  
0.15m Length,  
Tin (Sn) Plating, 6  
Circuits  
Picoflex PF-50 923150616  
IDT-to-Picoflex  
PF-50 IDT Off-  
the-Shelf (OTS)  
Cable Assembly,  
160.00mm Length,  
Tin (Sn) Plating, 6  
Circuits  
Picoflex PF-50 IDT- 923150619  
to-Picoflex PF-50  
IDT Cable Assembly,  
0.19m Length,

Tin (Sn) Plating, 6  
Circuits  
Picoflex PF-50 IDT- 923150620  
to-Picoflex PF-50  
IDT Cable Assembly,  
0.20m Length,  
Tin (Sn) Plating, 6  
Circuits  
Picoflex PF-50 923150624  
IDT-to-Picoflex  
PF-50 IDT Off-  
the-Shelf (OTS)  
Cable Assembly,  
240.00mm Length,  
Tin (Sn) Plating, 6  
Circuits  
Picoflex PF-50 IDT- 923150625  
to-Picoflex PF-50  
IDT Cable Assembly,  
0.25m Length,  
Tin (Sn) Plating, 6  
Circuits  
Picoflex PF-50 IDT- 923150628  
to-Picoflex PF-50  
IDT Cable Assembly,  
0.28m Length,  
Tin (Sn) Plating, 6  
Circuits  
Picoflex PF-50 IDT- 923150630  
to-Picoflex PF-50  
IDT Cable Assembly,  
0.30m Length,  
Tin (Sn) Plating, 6  
Circuits  
Picoflex PF-50 923150632  
IDT-to-Picoflex  
PF-50 IDT Off-  
the-Shelf (OTS)  
Cable Assembly,  
320.00mm Length,  
Tin(Sn) Plating, 6  
Circuits  
Picoflex PF-50 IDT- 923150635  
to-Picoflex PF-50  
IDT Cable Assembly,  
0.35m Length,  
Tin (Sn) Plating, 6  
Circuits  
Picoflex PF-50 IDT- 923150640  
to-Picoflex PF-50  
IDT Cable Assembly,  
0.40m Length,  
Tin (Sn) Plating, 6  
Circuits  
Picoflex PF-50 923150650  
IDT-to-Picoflex  
PF-50 IDT Off-  
the-Shelf (OTS)  
Cable Assembly,  
500.000mm Length,  
Tin (Sn) Plating, 6  
Circuits  
Picoflex PF-50 IDT- 923150655  
to-IDT, 6 Circuits,  
0.55m Length

Picoflex PF-50 IDT- 923150671  
to-Picoflex PF-50  
IDT Cable Assembly,  
0.71m Length,  
Tin (Sn) Plating, 6  
Circuits

Picoflex PF-50 IDT- 923150801  
to-Picoflex PF-50  
IDT Cable Assembly,  
1.0m Length, Tin  
(Sn) Plating, 8  
Circuits

Picoflex PF-50 IDT- 923150802  
to-Picoflex PF-50  
IDT Cable Assembly,  
1.05m Length,  
Tin (Sn) Plating, 8  
Circuits

Picoflex PF-50 IDT- 923150806  
to-Picoflex PF-50  
IDT Cable Assembly,  
0.06m Length,  
Tin (Sn) Plating, 8  
Circuits

Picoflex PF-50 IDT- 923150807  
to-Picoflex PF-50  
IDT Cable Assembly,  
0.07m Length,  
Tin (Sn) Plating, 8  
Circuits

Picoflex PF-50 923150808  
IDT-to-Picoflex  
PF-50 IDT Off-the-  
Shelf (OTS) Cable  
Assembly, 80.00mm  
Length, Tin (Sn)  
Plating, 8 Circuits

Picoflex PF-50 IDT- 923150810  
to-Picoflex PF-50  
IDT Cable Assembly,  
0.10m Length,  
Tin (Sn) Plating, 8  
Circuits

Picoflex PF-50 IDT- 923150811  
to-Picoflex PF-50  
IDT Cable Assembly,  
0.11m Length,  
Tin (Sn) Plating, 8  
Circuits

Picoflex PF-50 IDT- 923150812  
to-Picoflex PF-50  
IDT Cable Assembly,  
0.12m Length,  
Tin (Sn) Plating, 8  
Circuits

Picoflex PF-50 IDT- 923150815  
to-Picoflex PF-50  
IDT Cable Assembly,  
0.15m Length,  
Tin (Sn) Plating, 8  
Circuits

Picoflex PF-50 923150816  
IDT-to-Picoflex  
PF-50 IDT Off-  
the-Shelf (OTS)



Cable Assembly,  
160.00mm Length,  
Tin (Sn) Plating, 8  
Circuits  
Picoflex PF-50 IDT- 923150818  
to-Picoflex PF-50  
IDT Cable Assembly,  
0.18m Length,  
Tin (Sn) Plating, 8  
Circuits  
Picoflex PF-50 IDT- 923150820  
to-Picoflex PF-50  
IDT Cable Assembly,  
0.20m Length,  
Tin (Sn) Plating, 8  
Circuits  
Picoflex PF-50 923150824  
IDT-to-Picoflex  
PF-50 IDT Off-  
the-Shelf (OTS)  
Cable Assembly,  
240.00mm Length,  
Tin (Sn) Plating, 8  
Circuits  
Picoflex PF-50 IDT- 923150825  
to-Picoflex PF-50  
IDT Cable Assembly,  
0.25m Length,  
Tin (Sn) Plating, 8  
Circuits  
Picoflex PF-50 IDT- 923150830  
to-Picoflex PF-50  
IDT Cable Assembly,  
0.30m Length,  
Tin (Sn) Plating, 8  
Circuits  
Picoflex PF-50 923150832  
IDT-to-Picoflex  
PF-50 IDT Off-  
the-Shelf (OTS)  
Cable Assembly,  
320.00mm Length,  
Tin (Sn) Plating, 8  
Circuits  
Picoflex PF-50 IDT- 923150835  
to-Picoflex PF-50  
IDT Cable Assembly,  
0.35m Length,  
Tin (Sn) Plating, 8  
Circuits  
Picoflex PF-50 IDT- 923150836  
to-Picoflex PF-50  
IDT Cable Assembly,  
0.36m Length,  
Tin (Sn) Plating, 8  
Circuits  
Picoflex PF-50 923150850  
IDT-to-Picoflex  
PF-50 IDT Off-  
the-Shelf (OTS)  
Cable Assembly,  
500.00mm Length,  
Tin (Sn) Plating, 8  
Circuits

Picoflex PF-50 IDT- 923150852  
to-Picoflex PF-50  
IDT Cable Assembly,  
0.52m Length,  
Tin (Sn) Plating, 8  
Circuits

Picoflex PF-50 IDT- 923150865  
to-Picoflex PF-50  
IDT Cable Assembly,  
0.65m Length,  
Tin (Sn) Plating, 8  
Circuits

Picoflex PF-50 IDT- 923150890  
to-Picoflex PF-50  
IDT Cable Assembly,  
0.90m Length,  
Tin (Sn) Plating, 8  
Circuits

Picoflex PF-50 IDT- 923151006  
to-Picoflex PF-50  
IDT Cable Assembly,  
0.06m Length, Tin  
(Sn) Plating, 10  
Circuits

Picoflex PF-50 IDT- 923151007  
to-Picoflex PF-50  
IDT Cable Assembly,  
0.07m Length, Tin  
(Sn) Plating, 10  
Circuits

Picoflex PF-50 923151008  
IDT-to-Picoflex  
PF-50 IDT Off-the-  
Shelf (OTS) Cable  
Assembly, 80.00mm  
Length, Tin (Sn)  
Plating, 10 Circuits

Picoflex PF-50 IDT- 923151010  
to-Picoflex PF-50  
IDT Cable Assembly,  
0.10m Length, Tin  
(Sn) Plating, 10  
Circuits

Picoflex PF-50 IDT- 923151013  
to-Picoflex PF-50  
IDT Cable Assembly,  
0.13m Length, Tin  
(Sn) Plating, 10  
Circuits

Picoflex PF-50 IDT- 923151015  
to-Picoflex PF-50  
IDT Cable Assembly,  
0.15m Length, Tin  
(Sn) Plating, 10  
Circuits

Picoflex PF-50 923151016  
IDT-to-Picoflex  
PF-50 IDT Off-  
the-Shelf (OTS)  
Cable Assembly,  
160.00mm Length,  
Tin (Sn) Plating, 10  
Circuits

Picoflex PF-50 IDT- 923151020  
to-Picoflex PF-50

IDT Cable Assembly,  
0.20m Length, Tin  
(Sn) Plating, 10  
Circuits

Picoflex PF-50 923151024

IDT-to-Picoflex  
PF-50 IDT Off-  
the-Shelf (OTS)  
Cable Assembly,  
240.00mm Length,  
Tin (Sn) Plating, 10  
Circuits

Picoflex PF-50 IDT- 923151025

to-Picoflex PF-50  
IDT Cable Assembly,  
0.25m Length, Tin  
(Sn) Plating, 10  
Circuits

Picoflex PF-50 IDT- 923151027

to-Picoflex PF-50  
IDT Cable Assembly,  
0.27m Length, Tin  
(Sn) Plating, 10  
Circuits

Picoflex PF-50 IDT- 923151030

to-Picoflex PF-50  
IDT Cable Assembly,  
0.30m Length, Tin  
(Sn) Plating, 10  
Circuits

Picoflex PF-50 923151032

IDT-to-Picoflex  
PF-50 IDT Off-  
the-Shelf (OTS)  
Cable Assembly,  
320.00mm Length,  
Tin (Sn) Plating, 10  
Circuits

Picoflex PF-50 IDT- 923151033

to-Picoflex PF-50  
IDT Cable Assembly,  
0.33m Length, Tin  
(Sn) Plating, 10  
Circuits

Picoflex PF-50 IDT- 923151040

to-Picoflex PF-50  
IDT Cable Assembly,  
0.40m Length, Tin  
(Sn) Plating, 10  
Circuits

Picoflex PF-50 IDT- 923151047

to-Picoflex PF-50  
IDT Cable Assembly,  
0.47m Length, Tin  
(Sn) Plating, 10  
Circuits

Picoflex PF-50 923151050

IDT-to-Picoflex  
PF-50 IDT Off-  
the-Shelf (OTS)  
Cable Assembly,  
500.00mm Length,  
Tin (Sn) Plating, 10  
Circuits

Picoflex PF-50 IDT- 923151054  
to-Picoflex PF-50  
IDT Cable Assembly,  
0.54m Length, Tin  
(Sn) Plating, 10  
Circuits

Picoflex PF-50 IDT- 923151060  
to-Picoflex PF-50  
IDT Cable Assembly,  
0.60m Length, Tin  
(Sn) Plating, 10  
Circuits

Picoflex PF-50 IDT- 923151065  
to-Picoflex PF-50  
IDT Cable Assembly,  
0.65m Length, Tin  
(Sn) Plating, 10  
Circuits

Picoflex PF-50 IDT- 923151206  
to-Picoflex PF-50  
IDT Cable Assembly,  
0.06m Length, Tin  
(Sn) Plating, 12  
Circuits

Picoflex PF-50 IDT- 923151207  
to-Picoflex PF-50  
IDT Cable Assembly,  
0.07m Length, Tin  
(Sn) Plating, 12  
Circuits

Picoflex PF-50 923151208  
IDT-to-Picoflex  
PF-50 IDT Off-the-  
Shelf (OTS) Cable  
Assembly, 80.00mm  
Length, Tin (Sn)  
Plating, 12 Circuits

Picoflex PF-50 IDT- 923151210  
to-Picoflex PF-50  
IDT Cable Assembly,  
0.10m Length, Tin  
(Sn) Plating, 12  
Circuits

Picoflex PF-50 IDT- 923151215  
to-Picoflex PF-50  
IDT Cable Assembly,  
0.15m Length, Tin  
(Sn) Plating, 12  
Circuits

Picoflex PF-50 923151216  
IDT-to-Picoflex  
PF-50 IDT Off-  
the-Shelf (OTS)  
Cable Assembly,  
160.00mm Length,  
Tin (Sn) Plating, 12  
Circuits

Picoflex PF-50 IDT- 923151220  
to-Picoflex PF-50  
IDT Cable Assembly,  
0.20m Length, Tin  
(Sn) Plating, 12  
Circuits

Picoflex PF-50 923151224  
IDT-to-Picoflex

PF-50 IDT Off-  
the-Shelf (OTS)  
Cable Assembly,  
240.00mm Length,  
Tin (Sn) Plating, 12  
Circuits

Picoflex PF-50 IDT- 923151225  
to-Picoflex PF-50  
IDT Cable Assembly,  
0.25m Length, Tin  
(Sn) Plating, 12  
Circuits

Picoflex PF-50 IDT- 923151230  
to-Picoflex PF-50  
IDT Cable Assembly,  
0.30m Length, Tin  
(Sn) Plating, 12  
Circuits

Picoflex PF-50 923151232  
IDT-to-Picoflex  
PF-50 IDT Off-  
the-Shelf (OTS)  
Cable Assembly,  
320.00mm Length,  
Tin (Sn) Plating, 12  
Circuits

Picoflex PF-50 IDT- 923151240  
to-Picoflex PF-50  
IDT Cable Assembly,  
0.40m Length, Tin  
(Sn) Plating, 12  
Circuits

Picoflex PF-50 923151250  
IDT-to-Picoflex  
PF-50 IDT Off-  
the-Shelf (OTS)  
Cable Assembly,  
500.00mm Length,  
Tin (Sn) Plating, 12  
Circuits

Picoflex PF-50 IDT- 923151260  
to-Picoflex PF-50  
IDT Cable Assembly,  
0.60m Length, Tin  
(Sn) Plating, 12  
Circuits

Picoflex PF-50 IDT- 923151280  
to-Picoflex PF-50  
IDT Cable Assembly,  
0.80m Length, Tin  
(Sn) Plating, 12  
Circuits

Picoflex PF-50 IDT- 923151407  
to-Picoflex PF-50  
IDT Cable Assembly,  
0.07m Length, Tin  
(Sn) Plating, 14  
Circuits

Picoflex PF-50 923151408  
IDT-to-Picoflex  
PF-50 IDT Off-the-  
Shelf (OTS) Cable  
Assembly, 80.00mm  
Length, Tin (Sn)  
Plating, 14 Circuits

Picoflex PF-50 IDT- 923151410  
to-Picoflex PF-50  
IDT Cable Assembly,  
0.10m Length, Tin  
(Sn) Plating, 14  
Circuits

Picoflex PF-50 IDT- 923151415  
to-Picoflex PF-50  
IDT Cable Assembly,  
0.15m Length, Tin  
(Sn) Plating, 14  
Circuits

Picoflex PF-50 923151416  
IDT-to-Picoflex  
PF-50 IDT Off-  
the-Shelf (OTS)  
Cable Assembly,  
160.00mm Length,  
Tin (Sn) Plating, 14  
Circuits

Picoflex PF-50 IDT- 923151420  
to-Picoflex PF-50  
IDT Cable Assembly,  
0.20m Length, Tin  
(Sn) Plating, 14  
Circuits

Picoflex PF-50 923151424  
IDT-to-Picoflex  
PF-50 IDT Off-  
the-Shelf (OTS)  
Cable Assembly,  
240.00mm Length,  
Tin (Sn) Plating, 14  
Circuits

Picoflex PF-50 IDT- 923151425  
to-Picoflex PF-50  
IDT Cable Assembly,  
0.25m Length, Tin  
(Sn) Plating, 14  
Circuits

Picoflex PF-50 923151432  
IDT-to-Picoflex  
PF-50 IDT Off-  
the-Shelf (OTS)  
Cable Assembly,  
320.00mm Length,  
Tin (Sn) Plating, 14  
Circuits

Picoflex PF-50 923151450  
IDT-to-Picoflex  
PF-50 IDT Off-  
the-Shelf (OTS)  
Cable Assembly,  
500.00mm Length,  
Tin (Sn) Plating, 14  
Circuits

Picoflex PF-50 IDT- 923151607  
to-Picoflex PF-50  
IDT Cable Assembly,  
0.07m Length, Tin  
(Sn) Plating, 16  
Circuits

Picoflex PF-50 IDT- 923151609  
to-Picoflex PF-50  
IDT Cable Assembly,

0.09m Length, Tin  
(Sn) Plating, 16  
Circuits  
Picoflex PF-50 IDT- [923151610](#)  
to-Picoflex PF-50  
IDT Cable Assembly,  
0.10m Length, Tin  
(Sn) Plating, 16  
Circuits  
Picoflex PF-50 IDT- [923151615](#)  
to-Picoflex PF-50  
IDT Cable Assembly,  
0.15m Length, Tin  
(Sn) Plating, 16  
Circuits  
Picoflex PF-50 IDT- [923151625](#)  
to-Picoflex PF-50  
IDT Cable Assembly,  
0.25m Length, Tin  
(Sn) Plating, 16  
Circuits  
Picoflex PF-50 IDT- [923151635](#)  
to-Picoflex PF-50  
IDT Cable Assembly,  
0.35m Length, Tin  
(Sn) Plating, 16  
Circuits  
Picoflex PF-50 IDT- [923151640](#)  
to-Picoflex PF-50  
IDT Cable Assembly,  
0.40m Length, Tin  
(Sn) Plating, 16  
Circuits  
Picoflex PF-50 IDT- [923151650](#)  
to-Picoflex PF-50  
IDT Cable Assembly,  
0.50m Length, Tin  
(Sn) Plating, 16  
Circuits  
Picoflex PF-50 IDT- [923151660](#)  
to-Picoflex PF-50  
IDT Cable Assembly,  
0.60m Length, Tin  
(Sn) Plating, 16  
Circuits  
Picoflex PF-50 IDT- [923151811](#)  
to-Picoflex PF-50  
IDT Cable Assembly,  
0.11m Length, Tin  
(Sn) Plating, 18  
Circuits  
Picoflex PF-50 IDT- [923151813](#)  
to-Picoflex PF-50  
IDT Cable Assembly,  
0.13m Length, Tin  
(Sn) Plating, 18  
Circuits  
Picoflex PF-50 IDT- [923152006](#)  
to-Picoflex PF-50  
IDT Cable Assembly,  
0.06m Length, Tin  
(Sn) Plating, 20  
Circuits  
Picoflex PF-50 IDT- [923152007](#)  
to-Picoflex PF-50

IDT Cable Assembly,  
0.07m Length, Tin  
(Sn) Plating, 20  
Circuits

Picoflex PF-50 IDT- [923152009](#)  
to-Picoflex PF-50  
IDT Cable Assembly,  
0.09m Length, Tin  
(Sn) Plating, 20  
Circuits

Picoflex PF-50 IDT- [923152010](#)  
to-Picoflex PF-50  
IDT Cable Assembly,  
0.10m Length, Tin  
(Sn) Plating, 20  
Circuits

Picoflex PF-50 IDT- [923152011](#)  
to-Picoflex PF-50  
IDT Cable Assembly,  
0.11m Length, Tin  
(Sn) Plating, 20  
Circuits

Picoflex PF-50 IDT- [923152015](#)  
to-Picoflex PF-50  
IDT Cable Assembly,  
0.15m Length, Tin  
(Sn) Plating, 20  
Circuits

Picoflex PF-50 IDT- [923152020](#)  
to-Picoflex PF-50  
IDT Cable Assembly,  
0.20m Length, Tin  
(Sn) Plating, 20  
Circuits

Picoflex PF-50 IDT- [923152025](#)  
to-Picoflex PF-50  
IDT Cable Assembly,  
0.25m Length, Tin  
(Sn) Plating, 20  
Circuits

Picoflex PF-50 IDT- [923152030](#)  
to-Picoflex PF-50  
IDT Cable Assembly,  
0.30m Length, Tin  
(Sn) Plating, 20  
Circuits

Picoflex PF-50 IDT- [923152604](#)  
to-Picoflex PF-50  
IDT Cable Assembly,  
1.15m Length, Tin  
(Sn) Plating, 26  
Circuits

Picoflex PF-50 IDT- [923152606](#)  
to-Picoflex PF-50  
IDT Cable Assembly,  
0.06m Length, Tin  
(Sn) Plating, 26  
Circuits

Picoflex PF-50 IDT- [923152607](#)  
to-Picoflex PF-50  
IDT Cable Assembly,  
0.07m Length, Tin  
(Sn) Plating, 26  
Circuits



Picoflex PF-50 IDT- [923152610](#)  
to-Picoflex PF-50  
IDT Cable Assembly,  
0.10m Length, Tin  
(Sn) Plating, 26  
Circuits

Picoflex PF-50 IDT- [923152613](#)  
to-Picoflex PF-50  
IDT Cable Assembly,  
0.13m Length, Tin  
(Sn) Plating, 26  
Circuits

Picoflex PF-50 IDT- [923152615](#)  
to-Picoflex PF-50  
IDT Cable Assembly,  
0.15m Length, Tin  
(Sn) Plating, 26  
Circuits

Picoflex PF-50 IDT- [923152620](#)  
to-Picoflex PF-50  
IDT Cable Assembly,  
0.20m Length, Tin  
(Sn) Plating, 26  
Circuits

Picoflex PF-50 IDT- [923152622](#)  
to-Picoflex PF-50  
IDT Cable Assembly,  
0.22m Length, Tin  
(Sn) Plating, 26  
Circuits

Picoflex PF-50 IDT- [923152625](#)  
to-Picoflex PF-50  
IDT Cable Assembly,  
0.25m Length, Tin  
(Sn) Plating, 26  
Circuits

Picoflex PF-50 IDT- [923152635](#)  
to-Picoflex PF-50  
IDT Cable Assembly,  
0.35m Length, Tin  
(Sn) Plating, 26  
Circuits

Picoflex PF-50 IDT- [923152670](#)  
to-Picoflex PF-50  
IDT Cable Assembly,  
0.70m Length, Tin  
(Sn) Plating, 26  
Circuits

Picoflex PF-50 [923160406](#)  
IDT-to-Board-in,  
4 Circuits, 0.06m  
Length

Picoflex PF-50 [923160408](#)  
IDT-to-Board-in,  
4 Circuits, 0.08m  
Length

Picoflex PF-50 [923160409](#)  
IDT-to-Board-in,  
4 Circuits, 0.09m  
Length

Picoflex PF-50 [923160415](#)  
IDT-to-Board-in,  
4 Circuits, 0.15m  
Length

Picoflex PF-50 IDT-to-Board-in, 4 Circuits, 0.20m Length	<u>923160420</u>
Picoflex PF-50 IDT-to-Board-in, 6 Circuits, 0.08m Length	<u>923160608</u>
Picoflex PF-50 IDT-to-Board-in, 6 Circuits, 0.10m Length	<u>923160610</u>
Picoflex PF-50 IDT-to-Board-in, 6 Circuits, 0.14m Length	<u>923160614</u>
Picoflex PF-50 IDT-to-Board-in, 6 Circuits, 0.15m Length	<u>923160615</u>
Picoflex PF-50 IDT-to-Board-in, 6 Circuits, 0.18m Length	<u>923160618</u>
Picoflex PF-50 IDT-to-Board-in, 6 Circuits, 0.20m Length	<u>923160620</u>
Picoflex PF-50 IDT-to-Board-in, 6 Circuits, 0.25m Length	<u>923160625</u>
Picoflex PF-50 IDT-to-Board-in, 6 Circuits, 0.35m Length	<u>923160635</u>
Picoflex PF-50 IDT-to-Board-in, 6 Circuits, 0.65m Length	<u>923160665</u>
Picoflex PF-50 IDT-to-Board-in, 8 Circuits, 0.08m Length	<u>923160808</u>
Picoflex PF-50 IDT-to-Board-in, 8 Circuits, 0.10m Length	<u>923160810</u>
Picoflex PF-50 IDT-to-Board-in, 8 Circuits, 0.15m Length	<u>923160815</u>
Picoflex PF-50 IDT-to-Board-in, 8 Circuits, 0.20m Length	<u>923160820</u>
Picoflex PF-50 IDT-to-Board-in, 8 Circuits, 0.30m Length	<u>923160830</u>
Picoflex PF-50 IDT-to-Board-in, 8 Circuits, 0.32m Length	<u>923160832</u>

Picoflex PF-50 IDT-to-Board-in, 10 Circuits, 0.06m Length	<u>923161006</u>
Picoflex PF-50 IDT-to-Board-in, 10 Circuits, 0.07m Length	<u>923161007</u>
Picoflex PF-50 IDT-to-Board-in, 10 Circuits, 0.08m Length	<u>923161008</u>
Picoflex PF-50 IDT-to-Board-in, 10 Circuits, 0.10m Length	<u>923161010</u>
Picoflex PF-50 IDT-to-Board-in, 10 Circuits, 0.12m Length	<u>923161012</u>
Picoflex PF-50 IDT-to-Board-in, 10 Circuits, 0.13m Length	<u>923161013</u>
Picoflex PF-50 IDT-to-Board-in, 10 Circuits, 0.15m Length	<u>923161015</u>
Picoflex PF-50 IDT-to-Board-in, 10 Circuits, 0.20m Length	<u>923161020</u>
Picoflex PF-50 IDT-to-Board-in, 14 Circuits, 0.07m Length	<u>923161407</u>
Picoflex PF-50 IDT-to-Board-in, 16 Circuits, 0.06m Length	<u>923161606</u>
Picoflex PF-50 IDT-to-Board-in, 16 Circuits, 0.08m Length	<u>923161608</u>
Picoflex PF-50 IDT-to-Board-in, 16 Circuits, 0.09m Length	<u>923161609</u>
Picoflex PF-50 IDT-to-Board-in, 16 Circuits, 0.10m Length	<u>923161610</u>
Picoflex PF-50 IDT-to-Board-in, 18 Circuits, 0.07m Length	<u>923161807</u>
Picoflex PF-50 IDT-to-Board-in, 20 Circuits, 0.06m Length	<u>923162006</u>
Picoflex PF-50 IDT-to-Board-in, 20 Circuits, 0.10m Length	<u>923162010</u>

Picoflex PF-50 IDT-to-Board-in, 20 Circuits, 0.16m Length	<u>923162016</u>
Picoflex PF-50 IDT-to-Board-in, 20 Circuits, 0.20m Length	<u>923162020</u>
Picoflex PF-50 IDT-to-Board-in, 26 Circuits, 0.06m Length	<u>923162606</u>
Picoflex PF-50 IDT-to-Board-in, 26 Circuits, 0.08m Length	<u>923162608</u>
Picoflex PF-50 IDT-to-Board-in, 26 Circuits, 0.09m Length	<u>923162609</u>
Picoflex PF-50 IDT-to-Board-in, 26 Circuits, 0.10m Length	<u>923162610</u>
Picoflex PF-50 IDT-to-Board-in, 26 Circuits, 0.18m Length	<u>923162618</u>
Picoflex PF-50 IDT-to-Board-in, 26 Circuits, 0.20m Length	<u>923162620</u>
Picoflex PF-50 IDT-to-Board-in, 26 Circuits, 0.30m Length	<u>923162630</u>
Picoflex PF-50 IDT-to-Board-in, 26 Circuits, 0.50m Length	<u>923162650</u>
Picoflex PF-50 IDT-to-Board-in, 26 Circuits, 0.52m Length	<u>923162652</u>
Picoflex PF-50 IDT- to-IDT Z-Style, 4 Circuits, 0.13m Length	<u>923170413</u>
Picoflex PF-50 IDT- to-IDT Z-Style, 4 Circuits, 0.14m Length	<u>923170414</u>
Picoflex PF-50 IDT- to-IDT Z-Style, 4 Circuits, 0.19m Length	<u>923170419</u>
Picoflex PF-50 IDT- to-IDT Z-Style, 4 Circuits, 0.20m Length	<u>923170420</u>
Picoflex PF-50 IDT- to-IDT Z-Style, 4 Circuits, 0.21m Length	<u>923170421</u>

Picoflex PF-50 IDT- [923170436](#)  
to-IDT Z-Style, 4  
Circuits, 0.36m  
Length

Picoflex PF-50 IDT- [923170450](#)  
to-IDT Z-Style, 4  
Circuits, 0.50m  
Length

Picoflex PF-50 IDT- [923170460](#)  
to-IDT Z-Style, 4  
Circuits, 0.60m  
Length

Picoflex PF-50 IDT- [923170607](#)  
to-IDT Z-Style, 6  
Circuits, 0.60m  
Length

Picoflex PF-50 IDT- [923170610](#)  
to-IDT Z-Style, 6  
Circuits, 0.10m  
Length

Picoflex PF-50 IDT- [923170614](#)  
to-IDT Z-Style, 6  
Circuits, 0.14m  
Length

Picoflex PF-50 IDT- [923170615](#)  
to-IDT Z-Style, 6  
Circuits, 0.15m  
Length

Picoflex PF-50 IDT- [923170618](#)  
to-IDT Z-Style, 6  
Circuits, 0.18m  
Length

Picoflex PF-50 IDT- [923170620](#)  
to-IDT Z-Style, 6  
Circuits, 0.20m  
Length

Picoflex PF-50 IDT- [923170625](#)  
to-IDT Z-Style, 6  
Circuits, 0.25m  
Length

Picoflex PF-50 IDT- [923170627](#)  
to-IDT Z-Style, 6  
Circuits, 0.27m  
Length

Picoflex PF-50 IDT- [923170628](#)  
to-IDT Z-Style, 6  
Circuits, 0.28m  
Length

Picoflex PF-50 IDT- [923170632](#)  
to-IDT Z-Style, 6  
Circuits, 0.32m  
Length

Picoflex PF-50 IDT- [923170640](#)  
to-IDT Z-Style, 6  
Circuits, 0.40m  
Length

Picoflex PF-50 IDT- [923170680](#)  
to-IDT Z-Style, 6  
Circuits, 0.80m  
Length

Picoflex PF-50 IDT- [923170810](#)  
to-IDT Z-Style, 8  
Circuits, 0.10m  
Length

Picoflex PF-50 IDT- [923170835](#)  
to-IDT Z-Style, 8  
Circuits, 0.35m  
Length

Picoflex PF-50 IDT- [923170869](#)  
to-IDT Z-Style, 8  
Circuits, 0.69m  
Length

Picoflex PF-50 IDT- [923170880](#)  
to-IDT Z-Style, 8  
Circuits, 0.80m  
Length

Picoflex PF-50 IDT- [923171002](#)  
to-IDT Z-Style, 10  
Circuits, 1.05m  
Length

Picoflex PF-50 IDT- [923171007](#)  
to-IDT Z-Style, 10  
Circuits, 0.07m  
Length

Picoflex PF-50 IDT- [923171010](#)  
to-IDT Z-Style, 10  
Circuits, 0.10m  
Length

Picoflex PF-50 IDT- [923171014](#)  
to-IDT Z-Style, 10  
Circuits, 0.14m  
Length

Picoflex PF-50 IDT- [923171015](#)  
to-IDT Z-Style, 10  
Circuits, 0.15m  
Length

Picoflex PF-50 IDT- [923171022](#)  
to-IDT Z-Style, 10  
Circuits, 0.22m  
Length

Picoflex PF-50 IDT- [923171029](#)  
to-IDT Z-Style, 10  
Circuits, 0.29m  
Length

Picoflex PF-50 IDT- [923171030](#)  
to-IDT Z-Style, 10  
Circuits, 0.30m  
Length

Picoflex PF-50 IDT- [923171036](#)  
to-IDT Z-Style, 10  
Circuits, 0.36m  
Length

Picoflex PF-50 IDT- [923171054](#)  
to-IDT Z-Style, 10  
Circuits, 0.54m  
Length

Picoflex PF-50 IDT- [923171209](#)  
to-IDT Z-Style, 12  
Circuits, 0.09m  
Length

Picoflex PF-50 IDT- [923171245](#)  
to-IDT Z-Style, 12  
Circuits, 0.45m  
Length

Picoflex PF-50 IDT- [923171407](#)  
to-IDT Z-Style, 14  
Circuits, 0.07m  
Length

Picoflex PF-50 IDT- [923171413](#)  
to-IDT Z-Style, 14  
Circuits, 0.13m  
Length

Picoflex PF-50 IDT- [923171418](#)  
to-IDT Z-Style, 14  
Circuits, 0.18m  
Length

Picoflex PF-50 IDT- [923171428](#)  
to-IDT Z-Style, 14  
Circuits, 0.28m  
Length

Picoflex PF-50 IDT- [923171602](#)  
to-IDT Z-Style, 16  
Circuits, 1.05m  
Length

Picoflex PF-50 IDT- [923171625](#)  
to-IDT Z-Style, 16  
Circuits, 0.25m  
Length

Picoflex PF-50 IDT- [923171640](#)  
to-IDT Z-Style, 16  
Circuits, 0.40m  
Length

Picoflex PF-50 IDT- [923171680](#)  
to-IDT Z-Style, 16  
Circuits, 0.80m  
Length

Picoflex PF-50 IDT- [923171802](#)  
to-IDT Z-Style, 18  
Circuits, 1.05m  
Length

Picoflex PF-50 IDT- [923171808](#)  
to-IDT Z-Style, 18  
Circuits, 0.08m  
Length

Picoflex PF-50 IDT- [923171820](#)  
to-IDT Z-Style, 18  
Circuits, 0.20m  
Length

Picoflex PF-50 IDT- [923171824](#)  
to-IDT Z-Style, 18  
Circuits, 0.24m  
Length

Picoflex PF-50 IDT- [923171825](#)  
to-IDT Z-Style, 18  
Circuits, 0.25m  
Length

Picoflex PF-50 IDT- [923172002](#)  
to-IDT Z-Style, 20  
Circuits, 1.05m  
Length

Picoflex PF-50 IDT- [923172006](#)  
to-IDT Z-Style, 20  
Circuits, 0.06m  
Length

Picoflex PF-50 IDT- [923172007](#)  
to-IDT Z-Style, 20  
Circuits, 0.07m  
Length

Picoflex PF-50 IDT- [923172008](#)  
to-IDT Z-Style, 20  
Circuits, 0.08m  
Length

Picoflex PF-50 IDT- [923172012](#)  
to-IDT Z-Style, 20  
Circuits, 0.12m  
Length

Picoflex PF-50 IDT- [923172050](#)  
to-IDT Z-Style, 20  
Circuits, 0.50m  
Length

Picoflex PF-50 IDT- [923172207](#)  
to-IDT Z-Style, 22  
Circuits, 0.07m  
Length

Picoflex PF-50 IDT- [923172232](#)  
to-IDT Z-Style, 22  
Circuits, 0.32m  
Length

Picoflex PF-50 IDT- [923172612](#)  
to-IDT Z-Style, 26  
Circuits, 0.12m  
Length

Picoflex PF-50 IDT- [923172637](#)  
to-IDT Z-Style, 26  
Circuits, 0.37m  
Length

Picoflex PF-50 IDT- [923180607](#)  
to-Board-in Z-Style,  
6 Circuits, 0.07m  
Length

Picoflex PF-50 IDT- [923180817](#)  
to-Board-in Z-Style,  
8 Circuits, 0.17m  
Length

Picoflex PF-50 IDT- [923181006](#)  
to-Board-in Z-Style,  
10 Circuits,0.06m  
Length

Picoflex PF-50 IDT- [923181007](#)  
to-Board-in Z-Style,  
10 Circuits, 0.07m  
Length

Picoflex PF-50 IDT- [923181008](#)  
to-Board-in Z-Style,  
10 Circuits, 0.08m  
Length

Picoflex PF-50 IDT- [923181010](#)  
to-Board-in Z-Style,  
10 Circuits, 0.10m  
Length

Picoflex PF-50 IDT- [923181018](#)  
to-Board-in Z-Style,  
10 Circuits, 0.18m  
Length

Picoflex PF-50 IDT- [923181207](#)  
to-Board-in Z-Style,  
12 Circuits, 0.07m  
Length

Picoflex PF-50 IDT- [923181223](#)  
to-Board-in Z-Style,  
12 Circuits, 0.23m  
Length

Picoflex PF-50 IDT- [923181407](#)  
to-Board-in Z-Style,  
14 Circuits, 0.07m  
Length



Picoflex PF-50 IDT- [923181414](#)  
to-Board-in Z-Style,  
14 Circuits, 0.14m  
Length

Picoflex PF-50 IDT- [923181425](#)  
to-Board-in Z-Style,  
14 Circuits, 0.25m  
Length

Picoflex PF-50 IDT- [923181615](#)  
to-Board-in Z-Style,  
16 Circuits, 0.15m  
Length

Picoflex PF-50 IDT- [923181815](#)  
to-Board-in Z-Style,  
18 Circuits,0.15m  
Length

Picoflex PF-50 IDT- [923182611](#)  
to-Board-in Z-Style,  
26 Circuits, 0.11m  
Length

Picoflex PF-50 IDT- [923182616](#)  
to-Board-in Z-Style,  
26 Circuits, 0.16m  
Length

Picoflex PF-50 IDT- [923182618](#)  
to-Board-in Z-Style,  
26 Circuits, 0.18m  
Length

This document was generated on 07/31/2021

**PLEASE CHECK [WWW.MOLEX.COM](http://WWW.MOLEX.COM) FOR LATEST PART INFORMATION**

# Mouser Electronics

Authorized Distributor

Click to View Pricing, Inventory, Delivery & Lifecycle Information:

[Molex:](#)

[62100-6000](#)