

PLEASE CHECK WWW.MOLEX.COM FOR LATEST PART INFORMATION

Part Number: **0512961894**
Status: **Active**
Overview: Easy-On FFC FPC Connectors
Description: 0.50mm Pitch Easy-On FFC/FPC Connector, 1.30mm Height, Right-Angle, Surface Mount, ZIF, Bottom Contact Style, 18 Circuits, Gold (Au) Contact Plating

Documents:

3D Model	Product Specification PS-51296-003-001 (PDF)
Drawing (PDF)	Packaging Specification SPK-51296-007-001 (PDF)
3D Model (PDF)	RoHS Certificate of Compliance (PDF)

General

Product Family	FFC/FPC Connectors
Series	51296
Overview	Easy-On FFC FPC Connectors
Product Name	Easy-On
UPC	822348727599

Physical

Actuator Type	Front Flip
Circuits (Loaded)	18
Color - Resin	Beige, Black
Contact Position	Bottom
Durability (mating cycles max)	20
Mated Height	1.30mm
Material - Metal	Phosphor Bronze
Material - Plating Mating	Gold
Material - Plating Termination	Gold
Net Weight	107.951/mg
Number of Rows	1
Orientation	Right Angle
PCB Locator	No
PCB Mounting	Surface Mount
PCB Retention	Yes
Packaging Type	Embossed Tape on Reel
Pitch - Mating Interface	0.50mm
Polarized to PCB	Yes
Stackable	No
Temperature Range - Operating	-40° to +85°C
Wire/Cable Type	FFC/FPC

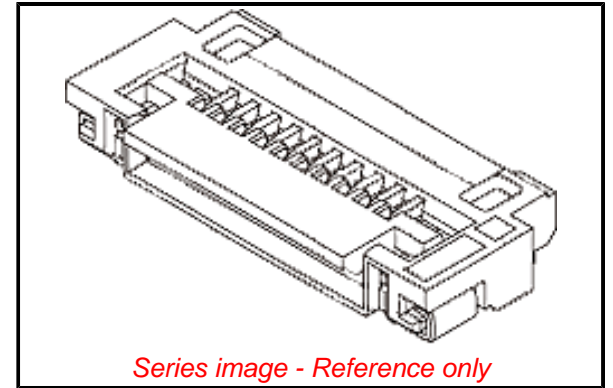
Electrical

Current - Maximum per Contact	0.5A
Voltage - Maximum	50V

Material Info

Reference - Drawing Numbers

Packaging Specification	SPK-51296-007-001
Product Specification	PS-51296-003-001
Sales Drawing	SD-51296-011, SD-51296-012



EU ELV

Not Relevant

EU RoHS

Compliant

REACH SVHC

Not Contained Per -
D(2020)4578-DC (25
June 2020)

Halogen-Free

Status

Not Low-Halogen

For more information, please visit [Contact US](#)

China ROHS

ELV

RoHS Phthalates

China RoHS

Green Image

Not Relevant

Not Contained

Search Parts in this Series

51296 Series

Mouser Electronics

Authorized Distributor

Click to View Pricing, Inventory, Delivery & Lifecycle Information:

[Molex:](#)

[51296-1894](#)