

PLEASE CHECK WWW.MOLEX.COM FOR LATEST PART INFORMATION

Part Number: [0444751821](#)
Status: **Active**
Overview: [Mini-Fit Family Power Connectors](#)
Description: Mini-Fit HCS Receptacle Header, 4.20mm Pitch, Dual Row, Vertical, Blind Mating, with Snap-in Plastic Pegs, 18 Circuits

Documents:

[Drawing \(PDF\)](#) [Test Summary 423850000-TS-000 \(PDF\)](#)
[Product Specification PS-44476-001-001 \(PDF\)](#) [RoHS Certificate of Compliance \(PDF\)](#)
[Packaging Specification PK-42385-999-001 \(PDF\)](#)

Agency Certification

CSA LR19980
 UL E29179

General

Product Family PCB Receptacles
 Series [44475](#)
 Application Board-to-Board, Power, Wire-to-Board
 Comments Solder Type|With Pegs
 Overview [Mini-Fit Family Power Connectors](#)
 Product Name Mini-Fit HCS
 UPC 800754915755

Physical

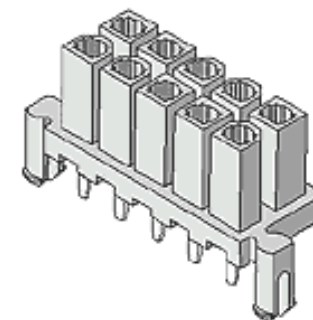
Circuits (Loaded) 18
 Circuits (maximum) 18
 Color - Resin Natural (White)
 Durability (mating cycles max) 30
 Flammability 94V-0
 Glow-Wire Capable No
 Material - Metal Copper
 Material - Plating Mating Tin
 Material - Plating Termination Tin
 Material - Resin Nylon
 Net Weight 3.753/g
 Number of Rows 2
 Orientation Vertical
 PCB Locator Yes
 PCB Retention Yes
 PCB Thickness - Recommended 1.60mm
 Packaging Type Tray
 Pitch - Mating Interface 4.20mm
 Plating min - Mating 2.540µm
 Plating min - Termination 2.540µm
 Polarized to PCB Yes
 Surface Mount Compatible (SMC) No
 Temperature Range - Operating -40° to +105°C
 Termination Interface: Style Through Hole

Electrical

Current - Maximum per Contact 11.0A
 Voltage - Maximum 600V

Solder Process Data

Duration at Max. Process Temperature (seconds) 005
 Lead-free Process Capability WAVE
 Max. Cycles at Max. Process Temperature 001



Series image - Reference only

EU ELV

Not Relevant

EU RoHS

Compliant

REACH SVHC

Not Contained Per -
 D(2021)4569-DC (8
 July 2021)

Halogen-Free

Status

Low-Halogen

For more information, please visit [Contact US](#)

China ROHS

ELV

RoHS Phthalates

China RoHS

Green Image

Not Relevant

Not Contained

Search Parts in this Series

[44475 Series](#)

Mates With

Mini-Fit BMI [44068](#) , [43810](#) , Mini-Fit BMI Header [42404](#) , Mini-Fit HCS [44474](#) , Mini-Fit BMI Plug Housing [42475](#)

Process Temperature max. C 240

Material Info

Reference - Drawing Numbers

Packaging Specification	PK-42385-999-001
Product Specification	PS-44476-001-001
Test Summary	423850000-TS-000

This document was generated on 09/14/2021

PLEASE CHECK WWW.MOLEX.COM FOR LATEST PART INFORMATION

Mouser Electronics

Authorized Distributor

Click to View Pricing, Inventory, Delivery & Lifecycle Information:

[Molex:](#)

[44475-1821](#)