

PLEASE CHECK WWW.MOLEX.COM FOR LATEST PART INFORMATION

Part Number: [0399700307](#)
Status: **Active**
Overview: Eurostyle Terminal Blocks
Description: 10.16mm Beau Eurostyle Fixed Mount PCB Terminal Block, High Power 40A, 7 Circuits

Documents:

3D Model	Drawing (PDF)
3D Model (PDF)	RoHS Certificate of Compliance (PDF)

Agency Certification

UL	E48521
----	--------

General

Product Family	Terminal Blocks
Series	39970
Application	N/A
Component Type	One Piece
Overview	Eurostyle Terminal Blocks
Product Name	Eurostyle Fixed Mount
Type	Euro Block
UPC	756054227275

Physical

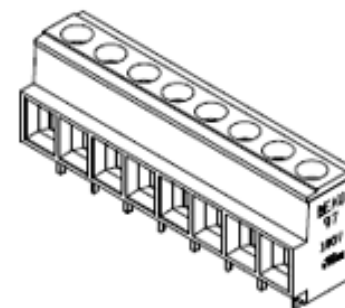
Circuits (Loaded)	7
Circuits (maximum)	7
Color - Resin	Black
Entry Angle	Horizontal
Flammability	94V-0
Lock to Mating Part	None
Material - Metal	Copper
Material - Plating Mating	Tin
Material - Plating Termination	Tin
Material - Resin	Polyester
Number of Rows	1
Orientation	Vertical
PC Tail Length	4.06mm
PCB Retention	None
Panel Mount	No
Pitch - Mating Interface	10.16mm
Pitch - Termination Interface	10.16mm
Plating min - Mating	3.810µm
Plating min - Termination	3.810µm
Polarized to Mating Part	N/A
Shrouded	Fully
Stackable	No
Surface Mount Compatible (SMC)	No
Temperature Range - Operating	130°C
Termination Interface: Style	Through Hole
Wire Size AWG	10, 12, 14, 16, 18, 8
Wire Size mm²	0.75-6.00

Electrical

Current - Maximum per Contact	40.0A
Voltage - Maximum	300V

Material Info

Engineering Number	973507
--------------------	--------



Series image - Reference only

EU ELV

Not Relevant

EU RoHS

Compliant with Exemption 6(c)

REACH SVHC

Contained Per - ED/71/2019 (16 July 2019)
lead

Halogen-Free

Status

Not Low-Halogen

For more information, please visit [Contact US](#)

China ROHS

50 Image

ELV

Not Relevant

RoHS Phthalates

Not Contained

Search Parts in this Series

[39970 Series](#)

Reference - Drawing Numbers
Sales Drawing

SD-39970-004

This document was generated on 07/28/2021

PLEASE CHECK WWW.MOLEX.COM FOR LATEST PART INFORMATION

Mouser Electronics

Authorized Distributor

Click to View Pricing, Inventory, Delivery & Lifecycle Information:

[Molex:](#)

[39970-0307](#)