

**PLEASE CHECK WWW.MOLEX.COM FOR LATEST PART INFORMATION**

**Part Number:** [0350449104](#)  
**Status:** **Active**  
**Overview:** [Board-in Connectors](#)  
**Description:** 2.00/2.50mm Board-in Terminal, Pre-Tin Plating, Wire Insulation Diameter 1.90mm max.

**Documents:**

[Drawing \(PDF\)](#) [Packaging Specification PK-35044-001-001 \(PDF\)](#)  
[Product Specification PS-35516-001-001 \(PDF\)](#) [RoHS Certificate of Compliance \(PDF\)](#)

**General**

Product Family Crimp Terminals  
 Series [35044](#)  
 Application Signal, Wire-to-Board  
 Crimp Quality Equipment Yes  
 Overview [Board-in Connectors](#)  
 Product Name Board-in  
 UPC 191128081443

**Physical**

Gender Male  
 Material - Metal Brass  
 Material - Plating Mating Tin  
 Material - Plating Termination Tin  
 Net Weight 0.030/g  
 Packaging Type Reel  
 Plating min - Mating 0.889µm  
 Plating min - Termination 0.889µm  
 Termination Interface: Style Crimp or Compression  
 Wire Insulation Diameter 1.90mm max.  
 Wire Size AWG 22, 24, 26, 28  
 Wire Size mm<sup>2</sup> N/A

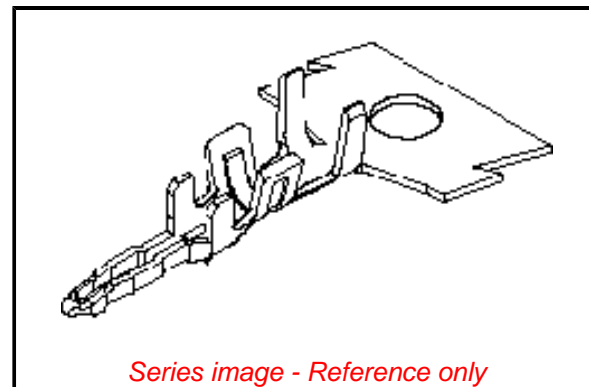
**Electrical**

Current - Maximum per Contact 2.5A  
 Voltage - Maximum 125V

**Material Info**

**Reference - Drawing Numbers**

Crimp Specification CS-35044-001-001  
 Packaging Specification PK-35044-001-001  
 Product Specification PS-35516-001-001  
 Sales Drawing SD-35044-001-001



**EU ELV**

**Compliant**

**EU RoHS**

**Compliant**

**REACH SVHC**

Not Contained Per -  
 D(2021)4569-DC (8  
 July 2021)

**Halogen-Free**

**Status**

**Low-Halogen**

For more information, please visit [Contact US](#)

China ROHS

ELV

RoHS Phthalates

**China RoHS**

Green Image

Compliant

Not Contained

**Search Parts in this Series**

[35044 Series](#)

**Use With**

[35022 Housing](#)

**Application Tooling | FAQ**

*Tooling specifications and manuals are found by selecting the products below. Crimp Height Specifications are then contained in the Application Tooling Specification document.*

**Global**

**Description**

**Product #**

T2 Terminator	<a href="#">638537100</a>
Tooling Die	
FineAdjust Applicator	<a href="#">638637100</a>

# Mouser Electronics

Authorized Distributor

Click to View Pricing, Inventory, Delivery & Lifecycle Information:

[Molex:](#)

[35044-9104](#)