

PLEASE CHECK WWW.MOLEX.COM FOR LATEST PART INFORMATION

Part Number: [0190190057](#)
Status: **Active**
Description: .250X.032 FEM.QD AVIK./REEL (PZ-8142)

Documents:

3D Model	Product Specification PS-19902-011-001 (PDF)
3D Model (PDF)	Product Specification PS-19902-014-001 (PDF)
Drawing (PDF)	RoHS Certificate of Compliance (PDF)

Agency Certification

CSA	LR18689
UL	E79133

General

Product Family	Quick Disconnects
Series	19019
Crimp Quality Equipment	Yes
Insulated	Partial
UPC	800753038622

Physical

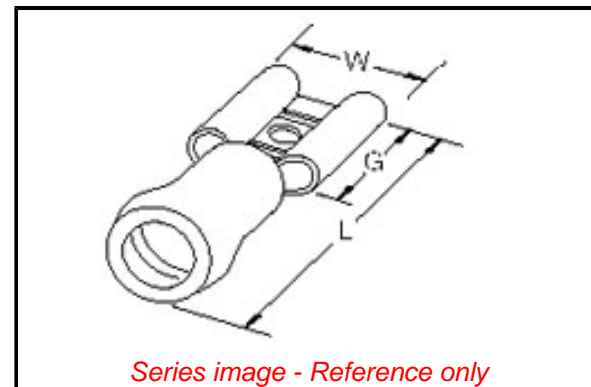
Flammability	94V-2
Insulation	Nylon (PA)
Net Weight	1.145/g

Material Info

Engineering Number	PZ-8142
--------------------	---------

Reference - Drawing Numbers

Product Specification	PS-19902-011-001, PS-19902-014-001
Sales Drawing	5303-05, SD-19019-001-001



EU ELV

Not Relevant

EU RoHS

Compliant

REACH SVHC

Not Contained Per -
D(2020)9139-DC (19
Jan 2021)

Halogen-Free

Status

Low-Halogen

For more information, please visit [Contact US](#)

China ROHS

ELV

RoHS Phthalates

China RoHS

Green Image

Not Relevant

Not Contained

Search Parts in this Series

[19019 Series](#)

Application Tooling | [FAQ](#)

Tooling specifications and manuals are found by selecting the products below. Crimp Height Specifications are then contained in the Application Tooling Specification document.

Global

Description

Product #

Mini-Mac Die Set of 4 MMZ for use with 12-14 AWG AVIK	198092000
---	---------------------------

Mouser Electronics

Authorized Distributor

Click to View Pricing, Inventory, Delivery & Lifecycle Information:

[Molex:](#)

[19019-0057](#)