

PLEASE CHECK WWW.MOLEX.COM FOR LATEST PART INFORMATION

Part Number: **0190190033**
Status: **Active**
Overview: Standard Quick-Disconnect Terminals
Description: Avikrimp Quick Disconnect, Female, for 14-16 (2.00-1.30mm²) Wire, Mylar Tape, Tab 6.35 x 0.81mm

Documents:

| | |
|--|--|
| 3D Model | Product Specification PS-19902-014-001 (PDF) |
| 3D Model (PDF) | Product Specification PS-19902-015-001 (PDF) |
| Drawing (PDF) | RoHS Certificate of Compliance (PDF) |
| Product Specification PS-19902-011-001 (PDF) | |

Agency Certification

| | |
|-----|---------|
| CSA | LR18689 |
| UL | E79133 |

General

| | |
|-------------------------|--|
| Product Family | Quick Disconnects |
| Series | <u>19019</u> |
| Crimp Quality Equipment | Yes |
| Insulated | Partial |
| Overview | <u>Standard Quick-Disconnect Terminals</u> |
| Product Name | Avikrimp |
| Type | Quick Disconnect |
| UPC | 800753038264 |

Physical

| | |
|--------------------------------|-----------------------|
| Barrel Type | Closed |
| Color - Resin | Blue |
| Flammability | 94V-2 |
| Gender | Female |
| Glow-Wire Capable | No |
| Insulation | Nylon (PA) |
| Lock to Mating Part | None |
| Material - Metal | Brass |
| Material - Plating Mating | Tin |
| Material - Plating Termination | Tin |
| Net Weight | 0.962/g |
| Orientation | Straight |
| Packaging Type | Adhesive Tape on Reel |
| Polarized to Mating Part | No |
| Tab Thickness | 0.81mm |
| Tab Width | 6.35mm |
| Temperature Range - Operating | -65° to +105°C |
| Wire Insulation Diameter | 3.50mm max. |
| Wire Size AWG | 14, 16 |
| Wire Size mm ² | 1.30-2.00 |

Electrical

| | |
|-------------------|------|
| Voltage - Maximum | 300V |
|-------------------|------|

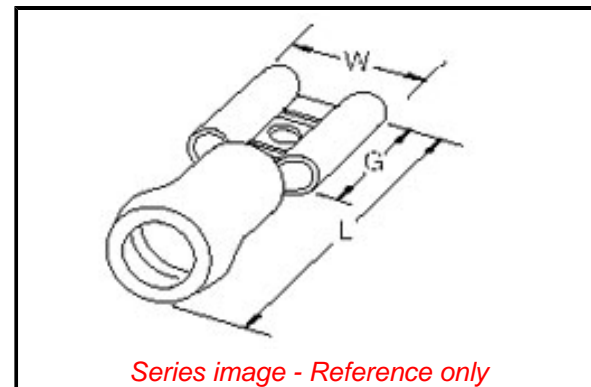
Solder Process Data

| | |
|------------------------------|-----|
| Lead-free Process Capability | N/A |
|------------------------------|-----|

Material Info

| | |
|--------------------|----------|
| Engineering Number | BB-8141T |
|--------------------|----------|

Reference - Drawing Numbers



EU ELV

Not Relevant

EU RoHS

Compliant

REACH SVHC

Not Contained Per -
D(2021)4569-DC (8
July 2021)

Halogen-Free

Status

Low-Halogen

For more information, please visit [Contact US](#)

China ROHS

ELV

RoHS Phthalates

China RoHS

Green Image

Not Relevant

Not Contained

Search Parts in this Series

19019 Series

Application Tooling | FAQ

Tooling specifications and manuals are found by selecting the products below. Crimp Height Specifications are then contained in the Application Tooling Specification document.

Global

| Description | Product # |
|--|------------------|
| ATP Crimp Dies for the Tape Crimp Module and ATP-101 & 301 Press | <u>192880145</u> |
| Mini-Mac Applicator | <u>638850900</u> |

Product Specification

Sales Drawing

PS-19902-011-001, PS-19902-014-001,
PS-19902-015-001
SD-19019-001-001

This document was generated on 09/14/2021

PLEASE CHECK WWW.MOLEX.COM FOR LATEST PART INFORMATION

Mouser Electronics

Authorized Distributor

Click to View Pricing, Inventory, Delivery & Lifecycle Information:

[Molex:](#)

[19019-0033](#)