

PLEASE CHECK WWW.MOLEX.COM FOR LATEST PART INFORMATION

Part Number: **0190170043**
Status: **Active**
Overview: Standard Quick-Disconnect Terminals
Description: InsulKrimp Quick Disconnect, Female, for 14-16 (2.00-1.30mm²) Wire, Box, Tab 5.21 x 0.51mm

Documents:

| | |
|--------------------------------|--|
| 3D Model | Product Specification PS-19902-011-001 (PDF) |
| Drawing (PDF) | Product Specification PS-19902-013-001 (PDF) |
| 3D Model (PDF) | RoHS Certificate of Compliance (PDF) |

General

| | |
|-------------------------|-------------------------------------|
| Product Family | Quick Disconnects |
| Series | 19017 |
| Crimp Quality Equipment | Yes |
| Insulated | Partial |
| Overview | Standard Quick-Disconnect Terminals |
| Product Name | InsulKrimp |
| Type | Quick Disconnect |
| UPC | 800753036260 |

Physical

| | |
|--------------------------------|----------------|
| Barrel Type | Closed |
| Color - Resin | Blue |
| Gender | Female |
| Glow-Wire Capable | No |
| Insulation | PVC |
| Lock to Mating Part | None |
| Material - Metal | Brass |
| Material - Plating Mating | Tin |
| Material - Plating Termination | Tin |
| Net Weight | 0.595/g |
| Orientation | Straight |
| Packaging Type | Bag |
| Polarized to Mating Part | No |
| Tab Thickness | 0.51mm |
| Tab Width | 5.21mm |
| Temperature Range - Operating | -50° to +105°C |
| Wire Insulation Diameter | 3.70mm max. |
| Wire Size AWG | 14, 16 |
| Wire Size mm ² | 1.30-2.00 |

Electrical

| | |
|-------------------|------|
| Voltage - Maximum | 600V |
|-------------------|------|

Solder Process Data

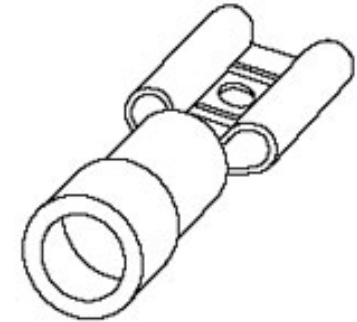
| | |
|-----------------------------|-----|
| Lead-freeProcess Capability | N/A |
|-----------------------------|-----|

Material Info

| | |
|--------------------|---------|
| Engineering Number | BB-2191 |
|--------------------|---------|

Reference - Drawing Numbers

| | |
|-----------------------|------------------------------------|
| Product Specification | PS-19902-011-001, PS-19902-013-001 |
| Sales Drawing | SD-19017-003-001 |



Series image - Reference only

EU ELV

Not Relevant

EU RoHS

Compliant

REACH SVHC

Not Contained Per
-ED/88/2018 (15
January 2019)

Halogen-Free

Status

Not Low-Halogen

For more information, please visit [Contact US](#)

China ROHS

ELV

RoHS Phthalates

China RoHS

Green Image

Not Relevant

Not Contained

Search Parts in this Series

19017 Series

Application Tooling | FAQ

Tooling specifications and manuals are found by selecting the products below. Crimp Height Specifications are then contained in the Application Tooling Specification document.

Global

| Description | Product # |
|---|---------------------------|
| PremiumGrade Hand Crimp Tool for InsulKrimp Quick Disconnect Terminals, 10-22 AWG | 640010200 |
| Crimp Head for the AT-200 Pneumatic Hand Tool | 640050200 |
| ServiceGrade Hand Crimp Tool - Ratchet | 640160037 |

PLEASE CHECK WWW.MOLEX.COM FOR LATEST PART INFORMATION

Mouser Electronics

Authorized Distributor

Click to View Pricing, Inventory, Delivery & Lifecycle Information:

[Molex:](#)

[19017-0043](#)